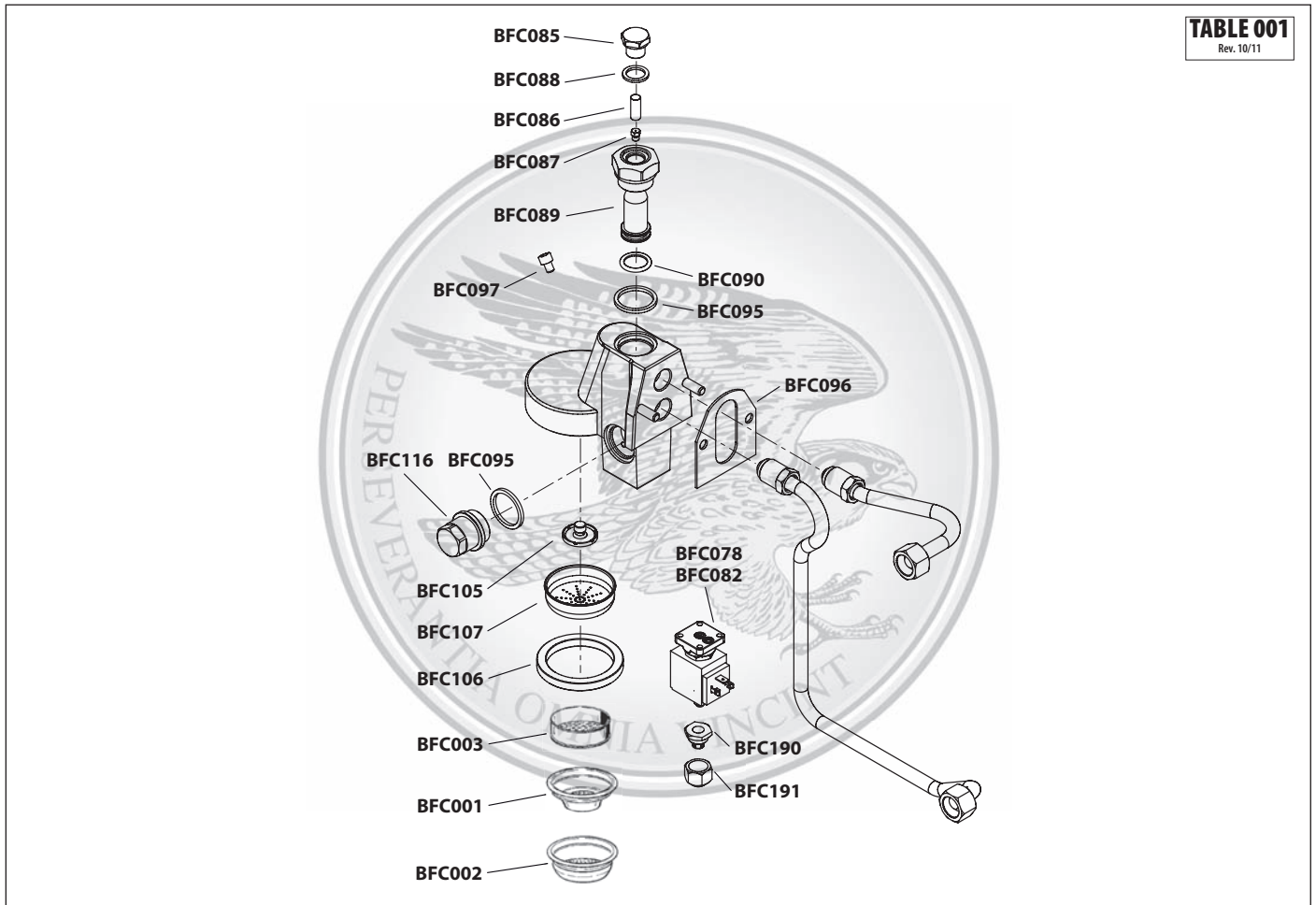


ROYAL FALCON ENTERPRISES

GROUP

Machine Type **BFC**

TABLE 001
Rev. 10/11



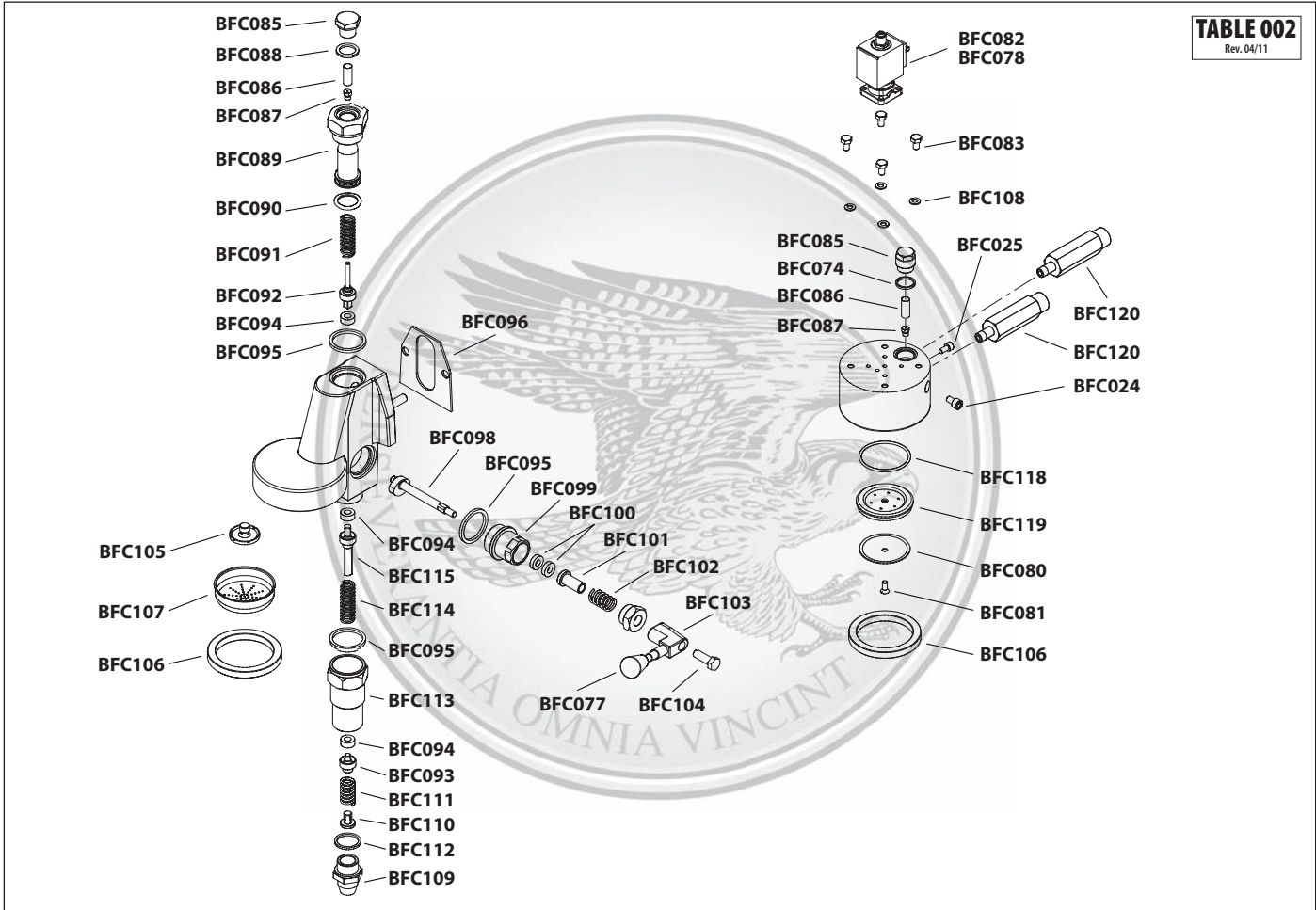
COD.	DENOMINAZIONE	DENOMINATION	COD.	DENOMINAZIONE	DENOMINATION
BFC001	Filtro 1 tz con bordo	1-Cup filter with edge			
BFC002	Filtro 2 tz con bordo	2-Cup filter with edge			
BFC003	Doccia a rete cianfrinata	Faema net brew head with double filter			
BFC078	Elettrovalvola lucifer v230 3 vie	Lucifer solenoid valve 2300v			
BFC082	Elettrovalvola lucifer v110/60	Solenoid valve 110v			
BFC085	Tappo superiore gruppo	Group closing cap			
BFC086	Filtrino gruppo	Group filter			
BFC087	Gigleur gr. Foro ø 8	Gicleur			
BFC088	Guar. Tappo	Cap gasket			
BFC089	Fungo gruppo	Mushroom			
BFC090	Or 4075 vyton 18,64x3,53	4075 Vyton o-ring			
BFC095	Guar. fungo	Mushroom gasket			
BFC096	Guar. fissaggio gruppo	Group securing gasket			
BFC097	Brugola fissaggio gruppo TCCE uni 5931 inox 6 x 8	M6x8 gasket			
BFC105	Spruzzatore gruppo	Group sprayer			
BFC106	Guar. portafiltro mm 8	Portafilter gasket			
BFC107	Doccia a rete faema c.Ta	Shower screen			
BFC116	Tappo infusore	Infusor cap			
BFC190	Divisore getto gruppo	Discharge spout			
BFC191	Coprigetto gruppo	Discharge spout cover			

ROYAL FALCON ENTERPRISES

GROUP

Machine Type **BFC**

TABLE 002
Rev. 04/11



COD.	DENOMINAZIONE	DENOMINATION
BFC024	Vite inox x portadoccia TCCE 6x10 uni 5931	Ss screw for brew head holder TCCE 6x10 uni 5931
BFC025	Vite fissaggio pressino TCCE 5x10 uni 5931	TCCE 5x10 screws
BFC074	Guar.r/a 3/8 per valvola caldaia 16,5x21,7x2,7	Seal r / a 3 / 8 boiler valve 16.5 X21, 7x2, 7
BFC077	Pomello inf. per leva m.pasti. Elesta i147/50 -m8	Lever knob
BFC078	Elettrovalvola lucifer v230 3 vie	Lucifer solenoid valve 2300v
BFC080	Doccia a rete c.Tta	Er 51.9 Unit spray
BFC081	Vite tps inox 5x14 taglio cacc.	Screw for unit spray
BFC082	Elettrovalvola lucifer v110/60	Solenoid valve 110v
BFC083	Vite inox fissag. elettrov. 4X10	Screw for solenoid valve
BFC085	Tappo superiore gruppo	Group closing cap
BFC086	Filtrino gruppo	Group filter
BFC087	Gigleur gr. Foro o 8	Gicleur
BFC088	Guar. Tappo	Cap gasket
BFC089	Fungo gruppo	Mushroom
BFC090	Or 4075 vyton 18,64x3,53	4075 Vyton o-ring
BFC091	Molla fungo	Mushroom spring
BFC092	Gambo portaguar. e/61+ portaguar. e/61	Stem brings gasket e61 + brings gasket e/61
BFC093	Portaguar. e/61	Gasket holder
BFC094	Guar. 13X4x4 70sh EPDM	Group valve gasket
BFC095	Guar. Fungo	Mushroom gasket

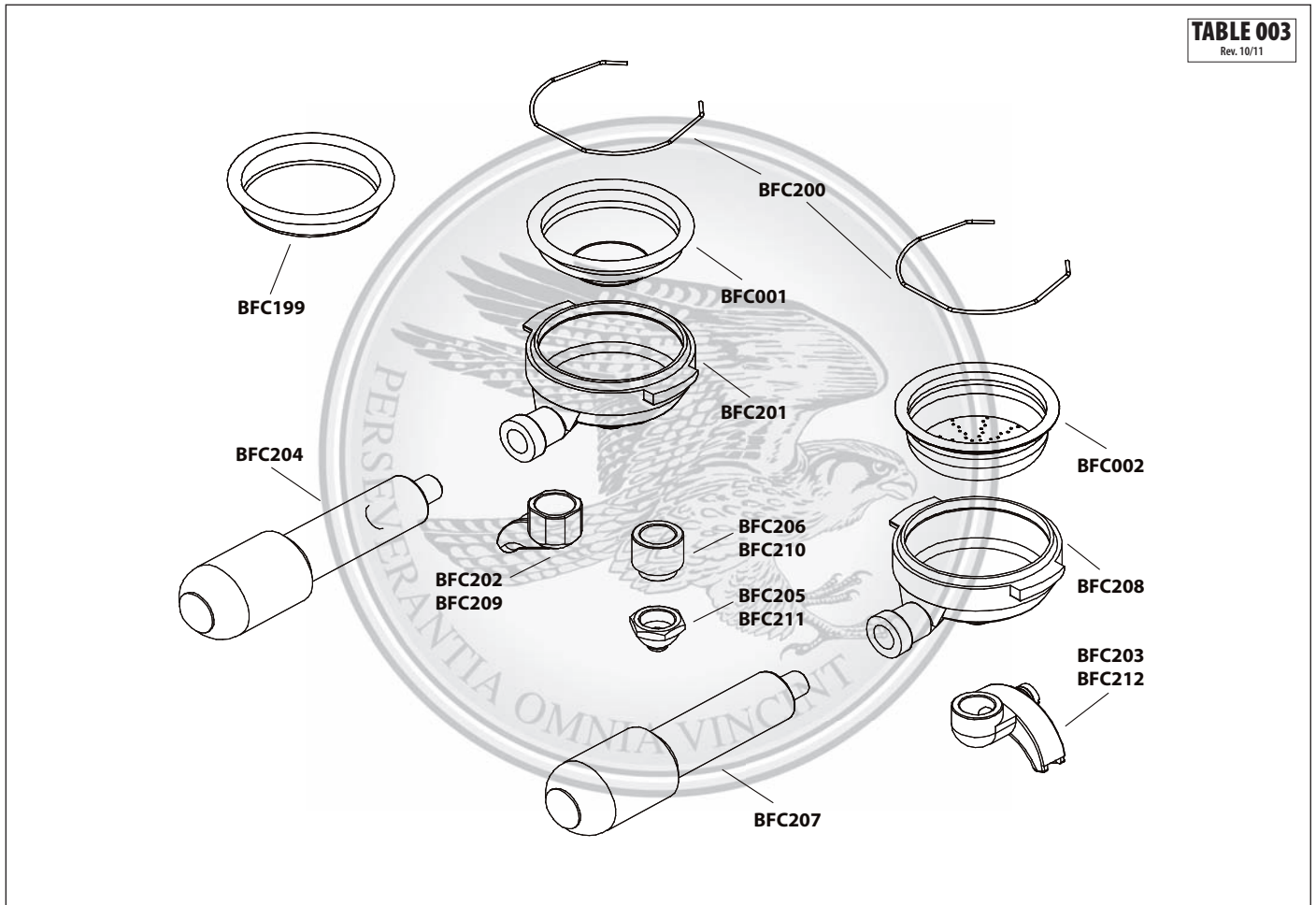
COD.	DENOMINAZIONE	DENOMINATION
BFC096	Guar. Fissaggio gruppo	Group securing gasket
BFC098	Guarnizione porta camme	Group cams
BFC099	Porta camme completo	Cam sliding support
BFC100	Guar. EPDM 15.5 X 7.5 X 4	Cam gasket
BFC101	Premistoppa porta camme	Stopping box
BFC102	Molla premistoppa camme	Cam gland spring
BFC103	Camme azionamento micro	Microswitch driv. Cams
BFC104	Dado blocca camme	Cam securing nut
BFC105	Spruzzatore gruppo	Group sprayer
BFC106	Guar. portafiltro mm 8	Portafilter gasket
BFC107	Doccia a rete Faema c.ta	Shower screen
BFC108	OR vyton nero x elettrovalvola	O-ring 105 vyton gasket
BFC109	Tappo scarico gruppo	Jet-breaker support nut
BFC110	Rompigetto scarico	Exhaust jet-breaker
BFC111	Molla scarico	Exhaust spring
BFC112	Guar. scarico	Drain lever
BFC113	Canotto inferiore gr.	Expansion chamber
BFC114	Molla sopra carico	Upper exhaust spring
BFC115	Perno triangolare gr. e/61 + portaguar. e/61	Triangular pin + brings gasket e/61
BFC118	Guarnizione Vyton 3187 47,3x2,62	Gasket Vyton 3187 47,3x2,62
BFC119	Flangia per diffusore gruppo	Sprayer
BFC120	Riduzione 1/2 1/8 mm	Nipple 1/2 1/8 mm

ROYAL FALCON ENTERPRISES

PORTAFILTERS

Machine Type **BFC**

TABLE 003
Rev.10/11



COD.	DENOMINAZIONE	DENOMINATION
BFC001	Filtro 1TZ	1--Cup Filter
BFC002	Filtro 2TZ	2--Cup Filter
BFC199	Filtro Cieco	Blind Filter
BFC200	Molla Ferma Filtro 1,2	Filter-Holder Spring
BFC201	Corpo Portafiltro Cromato	Chrome Filter-Holder Body
BFC202	Beccuccio 1 Via Curvo Aperto	1-Cup Spout
BFC203	Beccuccio 2 Vie Reg. H=30	2-Cup Spout
BFC204	Manopola Portafiltro Nera	Filter-Holder Handle
BFC205	Beccuccio 1T Corto H.12 Cr	Mini 1-Cup Spout
BFC206	Inserto Prolunga Cr. 1T H.20	Insert
BFC207	Manopola Portafiltro Nera	Filter-Holder Handle
BFC208	Corpo Portafiltro Cromato	Chrome Filter-Holder Body
BFC209	Beccuccio 1 Via Curvo Aperto	1-Cup Spout
BFC210	Inserto Prolunga Cr. 1T H.20	Insert
BFC211	Beccuccio 1T Corto H.12 Cr	Mini 1-Cup Spout
BFC212	Beccuccio 2 Vie Reg. H=30	2-Cup Spout

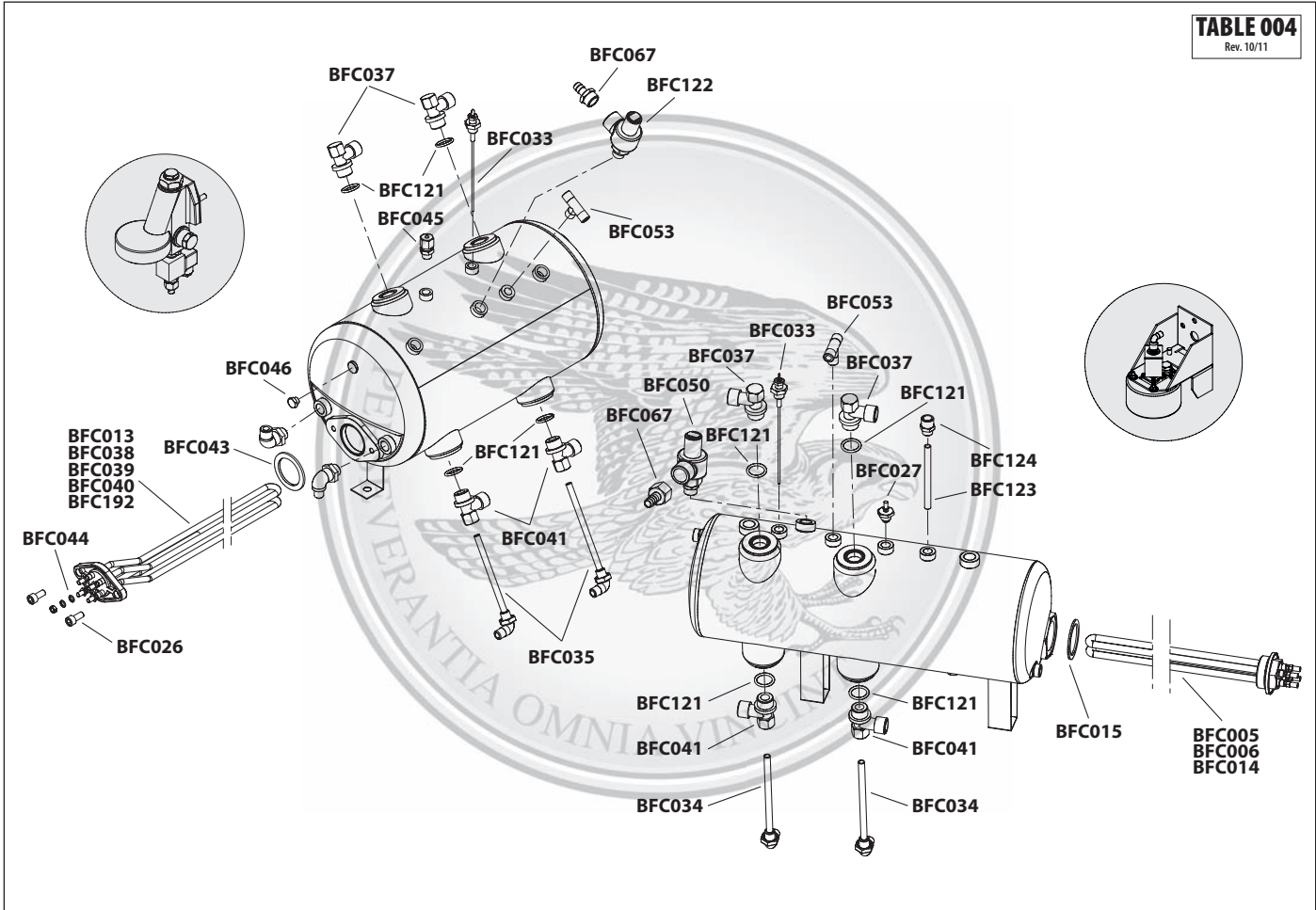
COD.	DENOMINAZIONE	DENOMINATION

ROYAL FALCON ENTERPRISES

BOILER

Machine Type **BFC**

TABLE 004
Rev. 10/11



COD.	DENOMINAZIONE	DENOMINATION
BFC005	Resist. Gr.2 W 3000 - 6 poli	2 Gr.6-Pole heating element 3000W
BFC006	Resist. Gr.3 W 5000 - 6 poli	3 Gr. 6-Pole heating element 5000W
BFC013	Resist. Gr.2 W 2600 V.230	2 Gr. Heating element. 2600W 230V
BFC014	Resist. a vite W2400 V.230 super maxi 1/4	Heating element screw 2400W 230V super maxi 1 / 4
BFC015	Guar. Resist. Teflon sp. 3	Teflon seal for heating element sp. 3
BFC026	Vite fiss. Resistenza uni 5931 inox 8 x 20	Heating element screw uni 5931 8 x 20 stainless steel
BFC027	Valvola ottone depres. Cald.1/4	1/4 Brass boiler relief valve
BFC033	Sonda x autoliv. Mm 140	Probe for self-adjusting level 140mm
BFC034	Tubo iniettore compl. Di racc. 1/4 m-m lungh. Mm. 80 (Mg)	Injector pipe with 1/4 m-m union - 80 mm long (mg)
BFC035	Tubo iniettore l=140 mm. S.F.	Injector tube l = 140
BFC037	Raccordo a gomito 1/2 sup. lungo	Upper "l" union 1/2
BFC038	Resist. Gr.2 W 3200 V.230	2 Gr. Heating element. 3200W 230V
BFC039	Resist. GR.3 W 4500 V.230	3 Gr. Heating element. 4500W 230V
BFC040	Resist. Gr.4 W 6000 V.230	4 Gr. Heating element. 6000W 230V
BFC041	Raccordo a T 1/2 inf. Lungo	Lower union tee 1/2
BFC043	Guar. Teflon resist. Tonda 58x43x3	Heating element teflon gasket
BFC044	Rondella piana rpn uni 6592 zin	Plain washer rpn uni 6592 galv
BFC045	Valvola depressione cald.1/4	Boiler depression valve 1/4 assembly
BFC046	Tappo 1/8 per mgp01-02	1/8 Cap

COD.	DENOMINAZIONE	DENOMINATION
BFC050	Valvola sic. Ped cat. 4(2 Bar) fil. 3/8 (V513)	Safety valve 3/8 non approved
BFC053	Raccordo a t filetto mmm 1/4"	1/4 Union tee m-m-m m/g-c.V.
BFC067	Portagomma 1/2 attacco 12	1/2 Rubber holder with connection 12
BFC121	Guarnizione inserto in rame 21x26x3,2	Cu gasket 21x26x3,2
BFC122	Valvola di sicurezza sic 3/8 sig d7/ cs ce0044	Security valve sic 3/8 sig d7/cs ce0044
BFC123	Tubo cu8 pescante acqua	Cu H2O pipe
BFC124	Riduzione 3/8 1/4 mm	Nipple 3/8 1/4 mm
BFC192	Resist. 2 gr. 2 el. W 4000 V.230	2 Gr. 2 El. Heating element 4000W 230V

ROYAL FALCON ENTERPRISES

STEAM/WATER VALVES

Machine Type

BFC

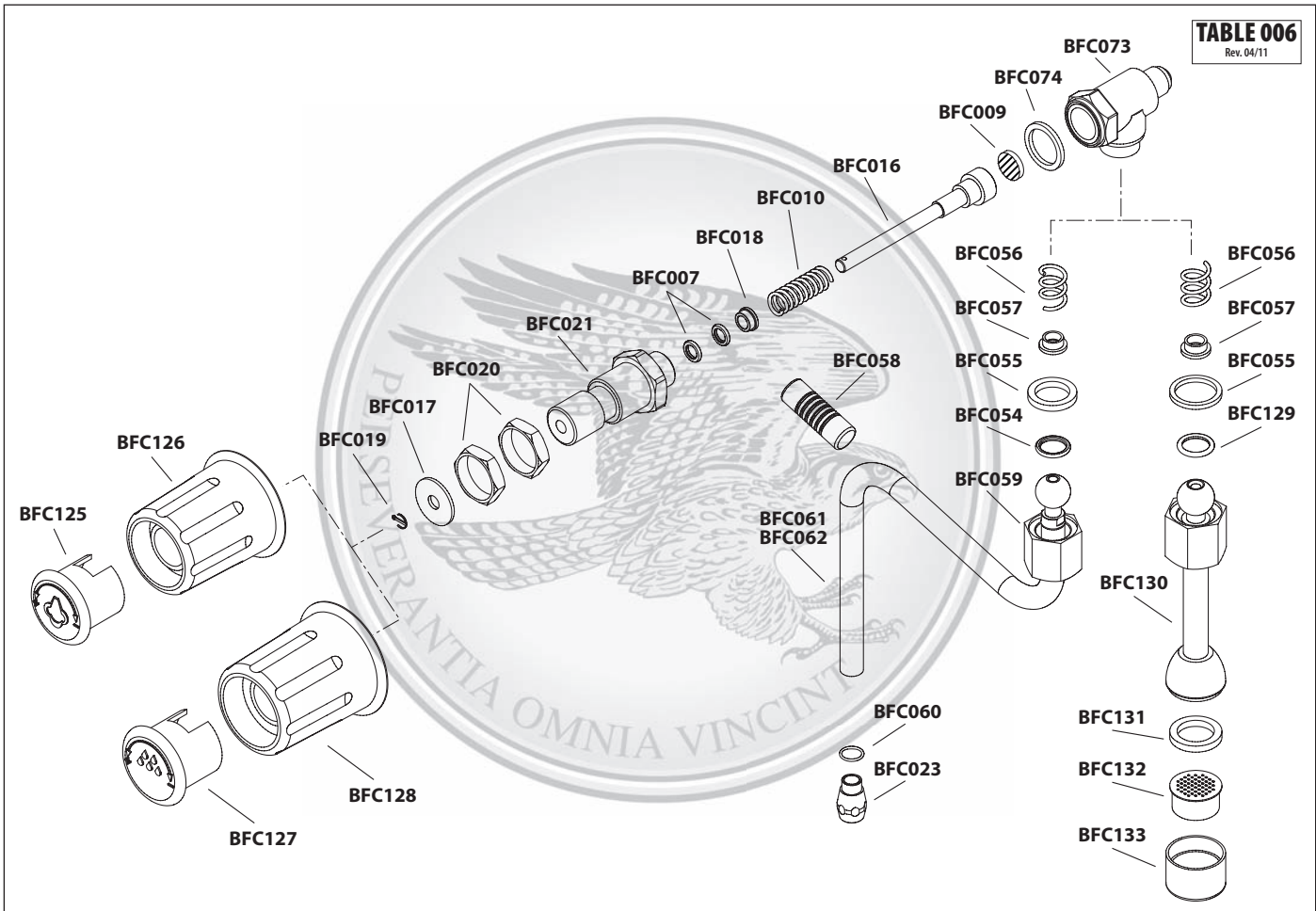


TABLE 006
Rev. 04/11

COD.	DENOMINAZIONE	DENOMINATION
BFC007	Or r 5 0 5.7 X 1.9	R5 o-ring 0 5.7 X 1.9
BFC009	Guar. rub. vapore acqua 0 12	Water steam valve gasket 0 12
BFC010	Molla asta rubinetto	Valve rod spring
BFC016	Perno rubinetto vapore p4-6	Steam valve pin p4-6
BFC017	Rosetta acciaio inox	Ss washer
BFC018	Bussola	Bushing
BFC019	Coppiglia	Split pin
BFC020	Dado rub. acqua vap. P/4-6	Steam/water valve nut p/4-6
BFC021	Raccordo corpo gruppo no stop	No stop group body connector
BFC023	Spruzzatore x tubo vapore diam. 10 E/91	E/91 steam pipe sprayer diam 10
BFC054	Or vapore z9 vyton fkm70 11,91x2,62	Or steam z9 vyton fkm 70 11,91x2,62
BFC055	Guar. teflon rub. Vap. Z 9	Z 9 steam valve teflon gasket
BFC056	Molla per snodo vapore	Steam connection spring
BFC057	Guida molla snodo vapore - inox	Steam connection spring guide - ss
BFC058	Gommino per tubi vapore	Steam pipe protection
BFC059	Dado snodo tubo vapore	Steam pipe nut
BFC060	Or asta canotto r 5/a 6,4x1,9 ep851	O- ring r5a
BFC061	Lancia vapore inox	Steam tube inox
BFC062	Tubo vapore con snodo nsf	Steam tube + joint nsf
BFC073	Rub. acqua vapore completo Mercury s/lancia	Complete water steam valve mercury without nozzle
BFC074	Guar.r/a 3/8 per valvola caldaia 16,5x21,7x2,7	3/8 Copper gasket for boiler valve

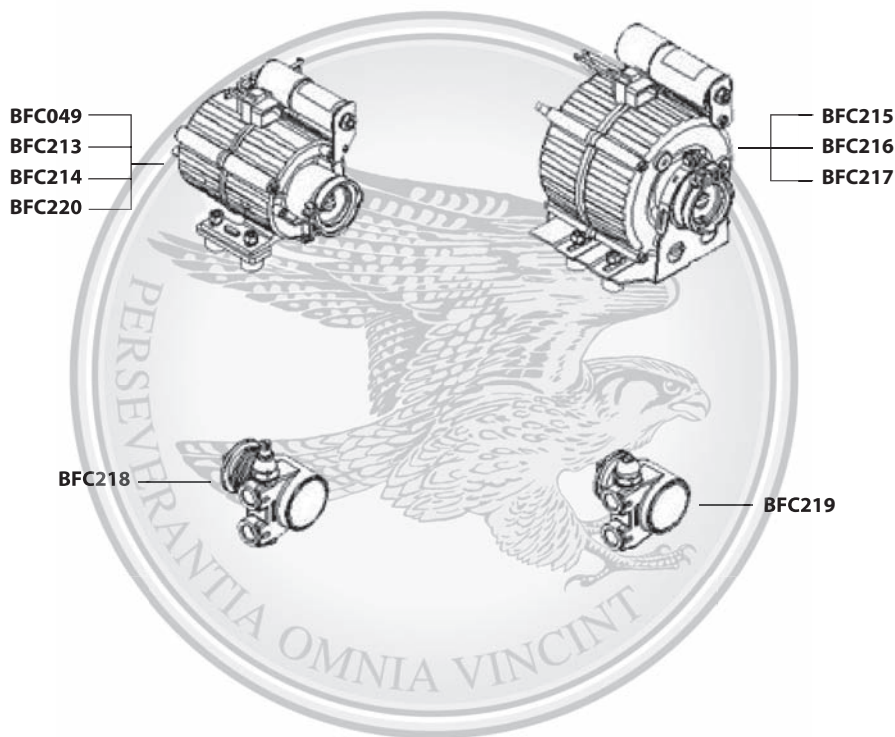
COD.	DENOMINAZIONE	DENOMINATION
BFC125	Tappo manopola vapore	Valve for handle valve
BFC126	Manopola vapore	Handle valve
BFC127	Tappo manopola acqua	Valve for handle water valve
BFC128	Manopola acqua	Handle water valve
BFC129	Or vapore z9 vyton fkm70 11,91x2,62	Or steam z9 vyton fkm 70 11,91x2,62
BFC130	Tubo acqua cromato 2-3 gr	Chrome water pipe 2-3 gr
BFC131	Guarnizione	Gasket
BFC132	Filtro	Filter
BFC133	Tappo tubo cromato	Chrome valve pipe

ROYAL FALCON ENTERPRISES

MOTORS & PUMPS

Machine Type **BFC**

TABLE 009
Rev. 10/11



COD.	DENOMINAZIONE	DENOMINATION
BFC049	Motore per pompa a fascetta 90P/90 120 W-230V.	Motor for clamp pump 90P/90 120 W-230V.
BFC213	Motore 90P/90 120W 220V/60 UI	Motor 90P/90 120W 220V/60 UI
BFC214	Motore 90P/90 120W 110V/60 UI	Motor 90P/90 120W 110V/60 UI
BFC220	Motore 90P/90 120W 240V 50/60 UI	Motor 90P/90 120W 240V 50/60 UI
BFC215	Motore 92/Giu 180W 230V	Motor 92/Giu 180W 230V
BFC216	Motore 92/Giu 180W 220V/60 UI	Motor 92/Giu 180W 220V/60 UI
BFC217	Motore 92/Giu 180W 240V 50/60	Motor 92/Giu 180W 240V 50/60
BFC218	Pompa 150 Lt Nsf	Pump 150 Lt Nsf
BFC219	Pompa 100 Lt nsf	Pump 100 Lt nsf

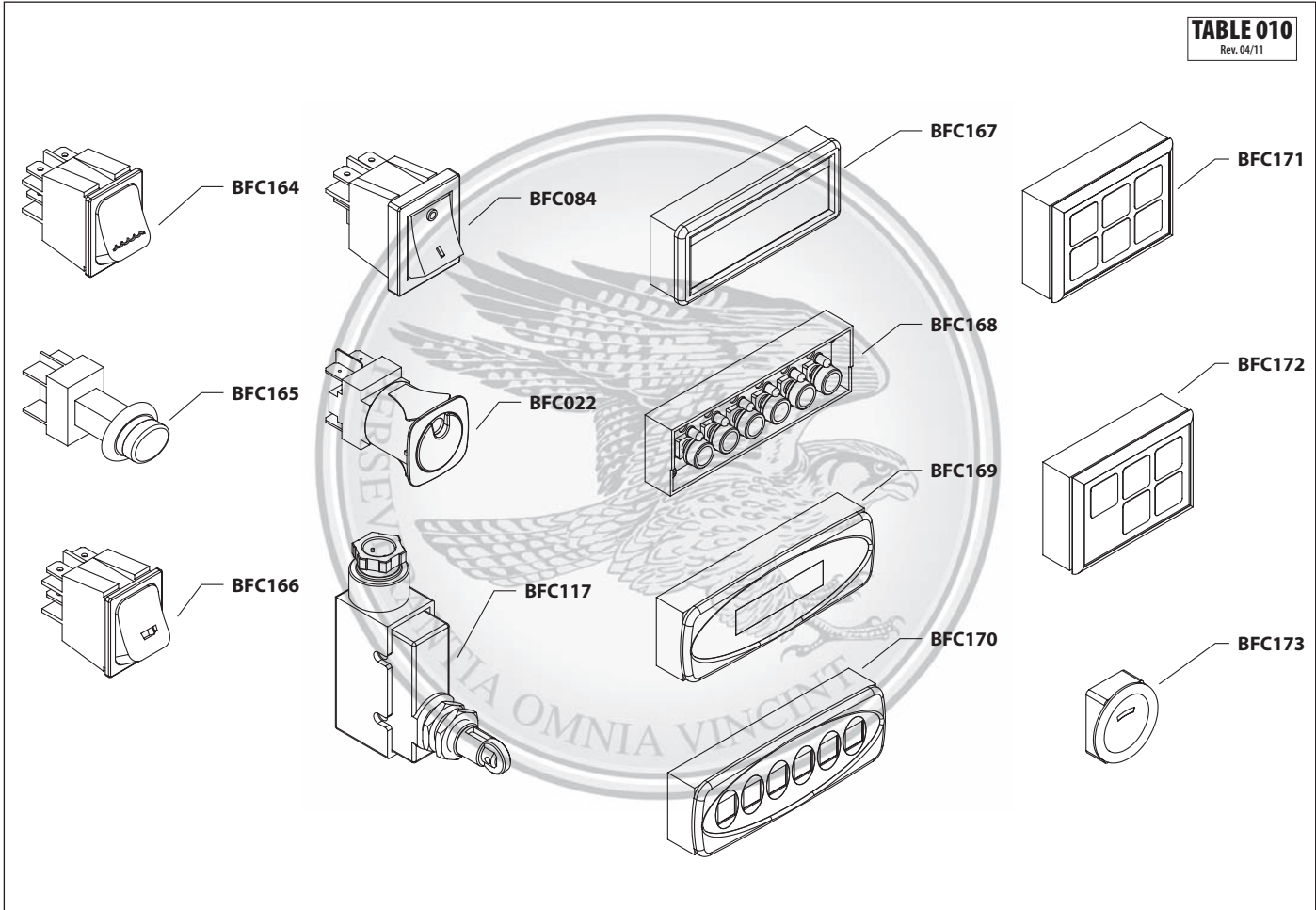
COD.	DENOMINAZIONE	DENOMINATION

ROYAL FALCON ENTERPRISES

ELECTRONICS: SWITCHES, TOUCH PADS & DIGITAL DISPLAYS

Machine Type **BFC**

TABLE 010
Rev. 04/11



COD.	DENOMINAZIONE	DENOMINATION
BFC022	Interruttore bipolare Special	Special group switch
BFC084	Interruttore on off	On/off switch
BFC117	Microinterruttore	Microswitch
BFC164	Interruttore pulsante acqua I=286	Water switch I=286
BFC165	Pulsante	Button
BFC166	Interruttore caffè I=285/1	Coffee switch I 285/1
BFC167	Display-pulsantiera Monza Imola Maranello	Key-push bottom Monza Imola maranello
BFC168	Display-pulsantiera Monza Imola Maranello Delux	Key-push bottom Monza Imola Maranello Delux
BFC169	Display-pulsantiera Lira	Key-push bottom Lira
BFC170	Display-pulsantiera Lira	Key-push bottom Lira
BFC171	Display-pulsantiera classica	Key-push bottom classica
BFC172	Display-pulsantiera Antea Grandoge classica	Key-push bottom Antea Grandoge classica
BFC173	Display-pulsantiera Monza Imola	Key-push bottom Monza Imola

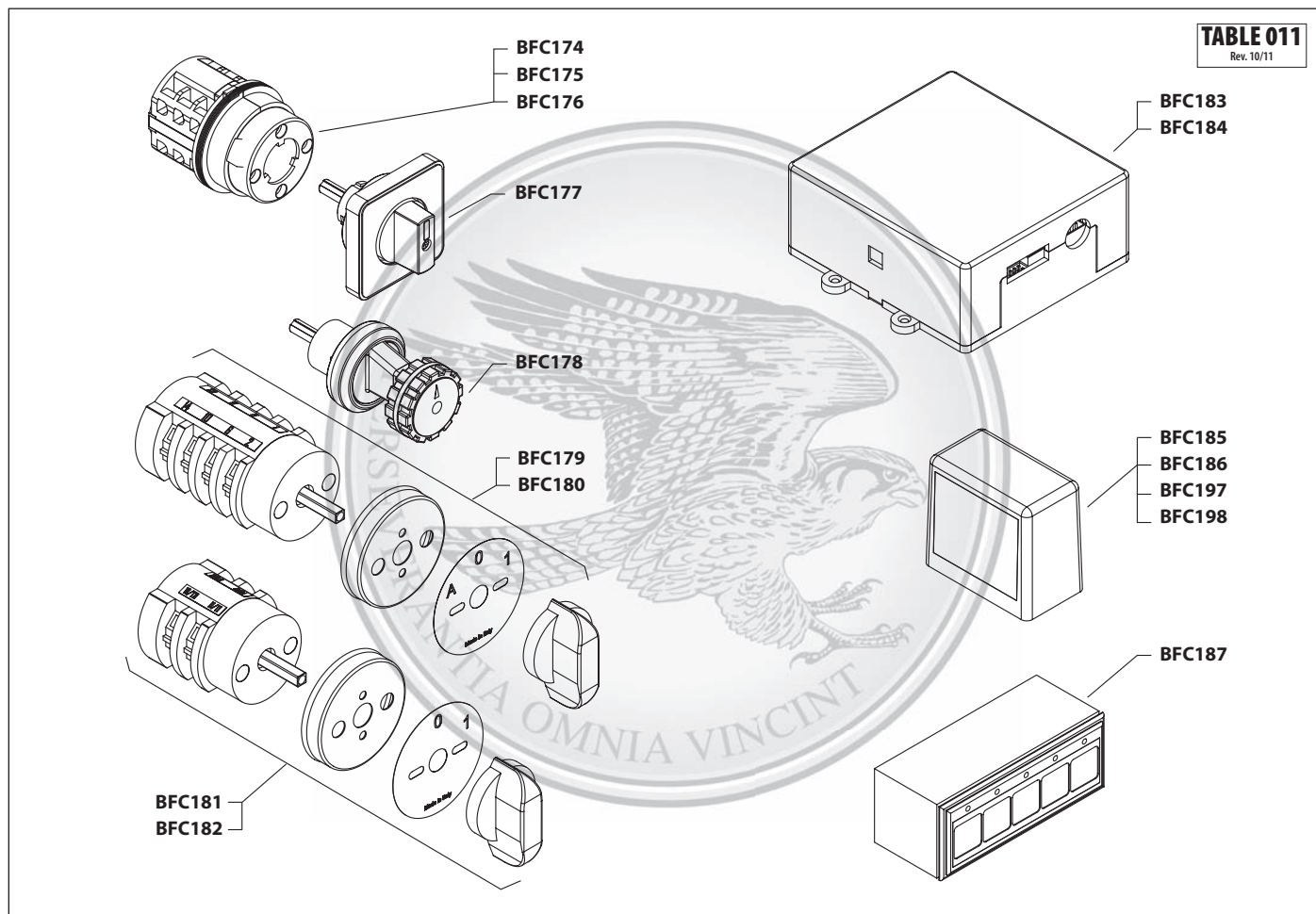
COD.	DENOMINAZIONE	DENOMINATION

ROYAL FALCON ENTERPRISES

SWITCHES & ELECTRONIC CONTROL UNITS

Machine Type **BFC**

TABLE 011
Rev. 10/11



COD.	DENOMINAZIONE	DENOMINATION
BFC174	Commutatore FT2 CA10I 20 AMP, Delux Monza Imola Maranello Grandoge Classica	Main switch FT2 CA10I 20 AMP , Delux Monza Imola Maranello Grandoge Classica
BFC175	Commutatore FT2 CA20I 25 AMP, Delux Monza Imola Maranello Grandoge Classica	Main switch FT2 CA20I 25 AMP , Delux Monza Imola Maranello Grandoge Classica
BFC176	Commutatore FT2 CA25I 32 AMP, Delux Monza Imola Maranello Grandoge Classica	Main switch FT2 CA25I 32 AMP , Delux Monza Imola Maranello Grandoge Classica
BFC177	Manopola , Delux Monza Imola Maranello Grandoge Classica	Universal main switch, Delux Monza Imola Maranello Grandoge Classica
BFC178	Manopola (Lira)	Knob for Lira
BFC179	Commutatore Bremas 20 amp. Lira Cald.7Lt, Vallelunga Cald.7Lt, Grandoge, Tetide Compact	Main switch Bremas 20 amp. Lira with 7Lt-boiler, Vallelunga with 7Lt-boiler, Grandoge, Tetide Compact
BFC180	Commutatore Bremas 25 amp. Lira, Tetide 3gr	Main switch Bremas 25 amp. Lira, Tetide 3gr
BFC181	Int. Bremas 20 amp. Lira, Vallelunga Cald.4Lt, Tetide 2Gr, Lira Cald.4Lt	Switch Bremas 20 amp. Lira, Vallelunga with 4Lt-boiler, Tetide 2Gr, Lira with 4Lt-boiler
BFC182	Int. Bremas 25 amp. Lira, Tetide 3gr	Switch Bremas 25 amp. Lira, Tetide 3gr
BFC183	Centralina antea Grandoge Classica, Diadema, Tetide	Electronic box antea Grandoge Classica, Diadema, Tetide
BFC184	Centralina Delux Monza Maranello Lira, Vallelunga	Electronic box Delux Monza Maranello Lira, Vallelunga
BFC185	Centralina Monza Imola	Electronic box Monza Imola

COD.	DENOMINAZIONE	DENOMINATION
BFC186	Centralina Antea Classica Delux Grandoge Lira, Diadema Tetide Vallelunga	Electronic box Antea Classica Delux Grandoge Lira, Diadema Tetide Vallelunga
BFC187	Centralina Classica	Electronic box Classica
BFC197	Centralina 110V Mz-Classica, Lira, Valentina	Electronic box Mz-Classica, Lira, Valentina
BFC198	Controllo Livello RI30/1E/2C 110V Classica, Lira, Valentina , Reale	Level control RI30/1E/2C 110V Classica, Lira, Valentina , Reale