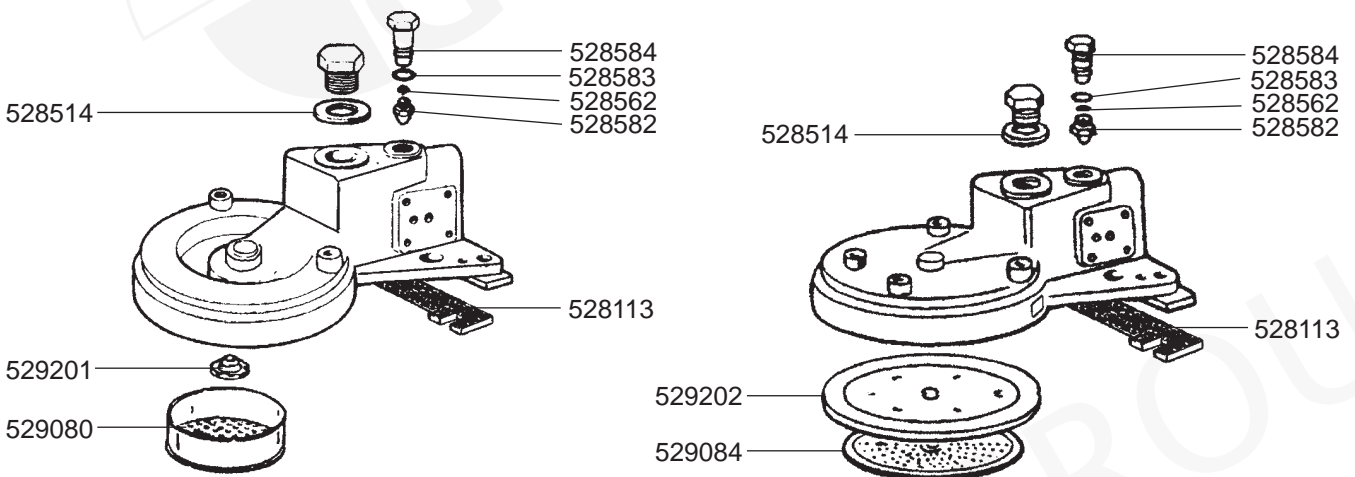
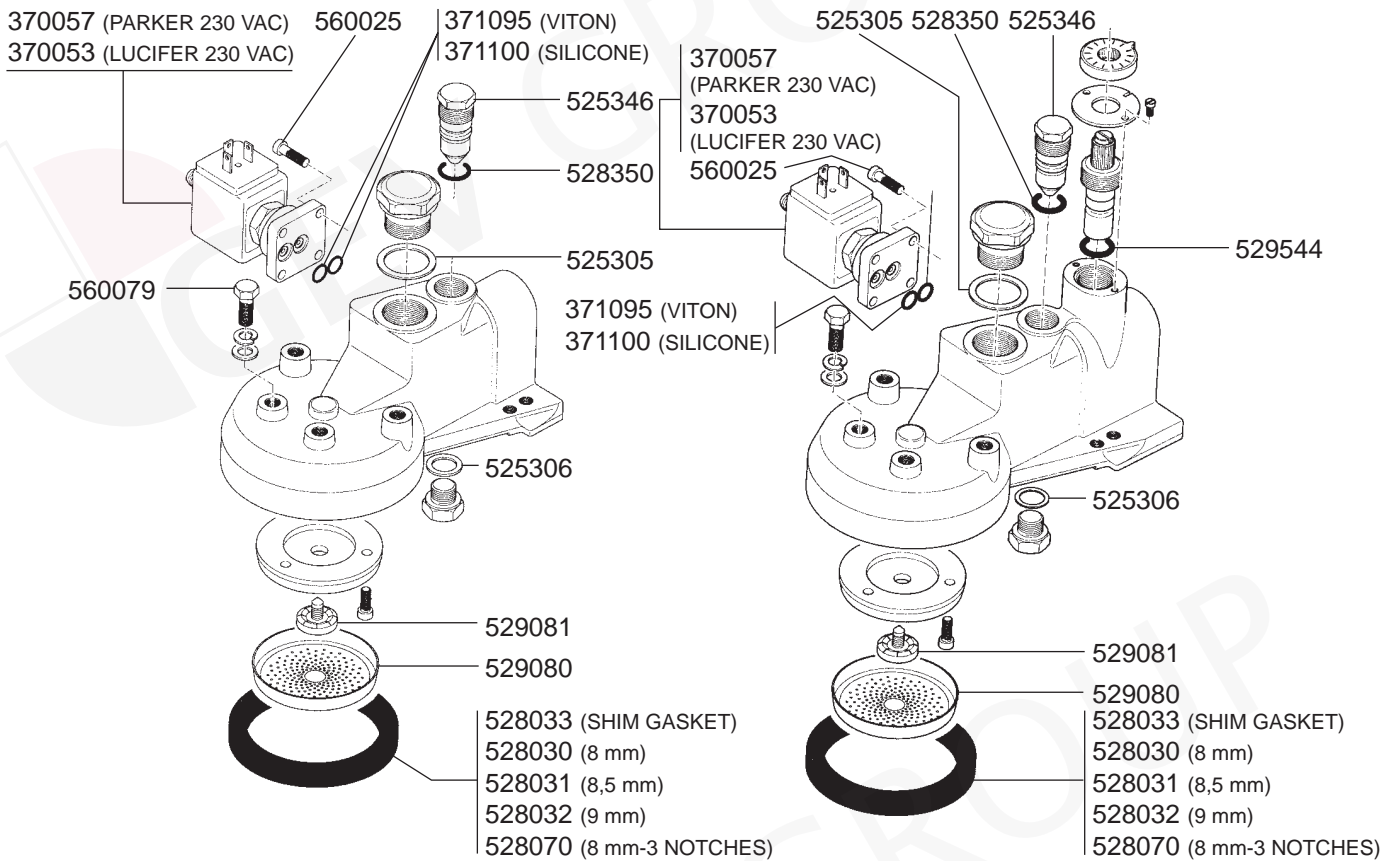
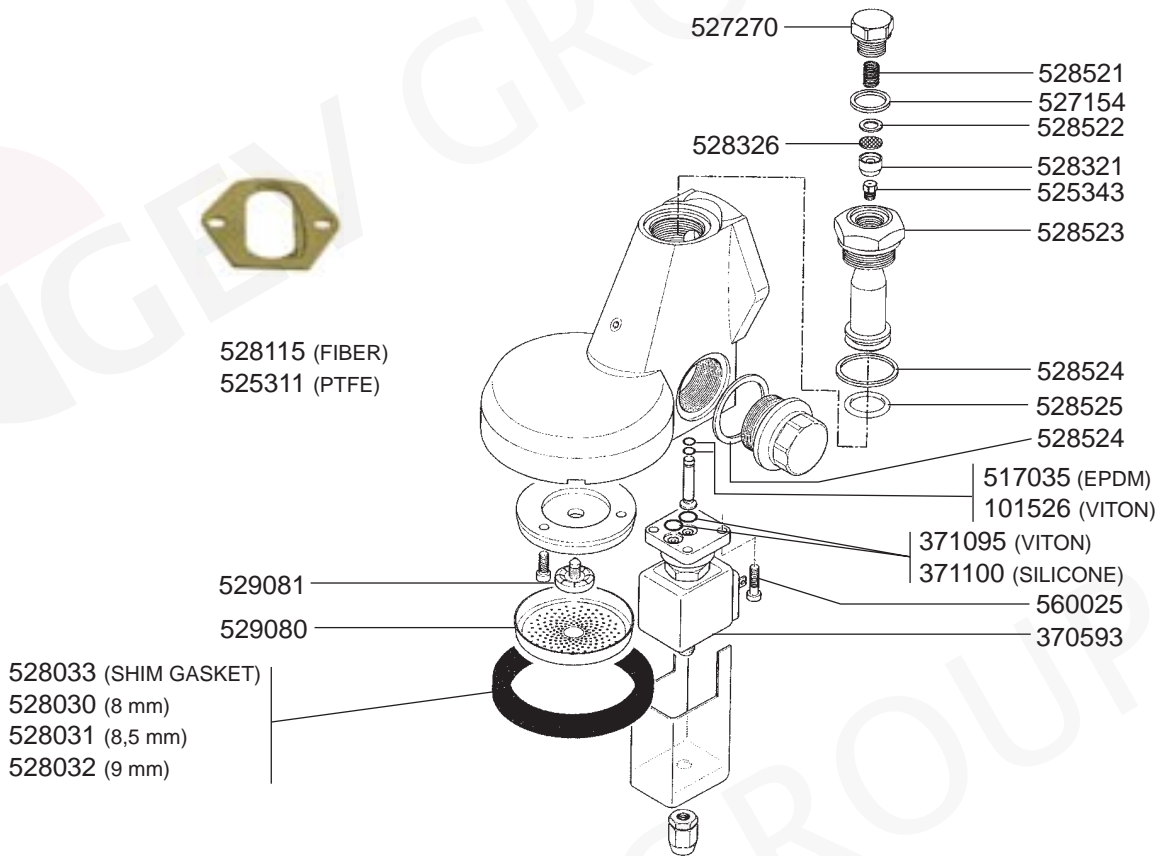


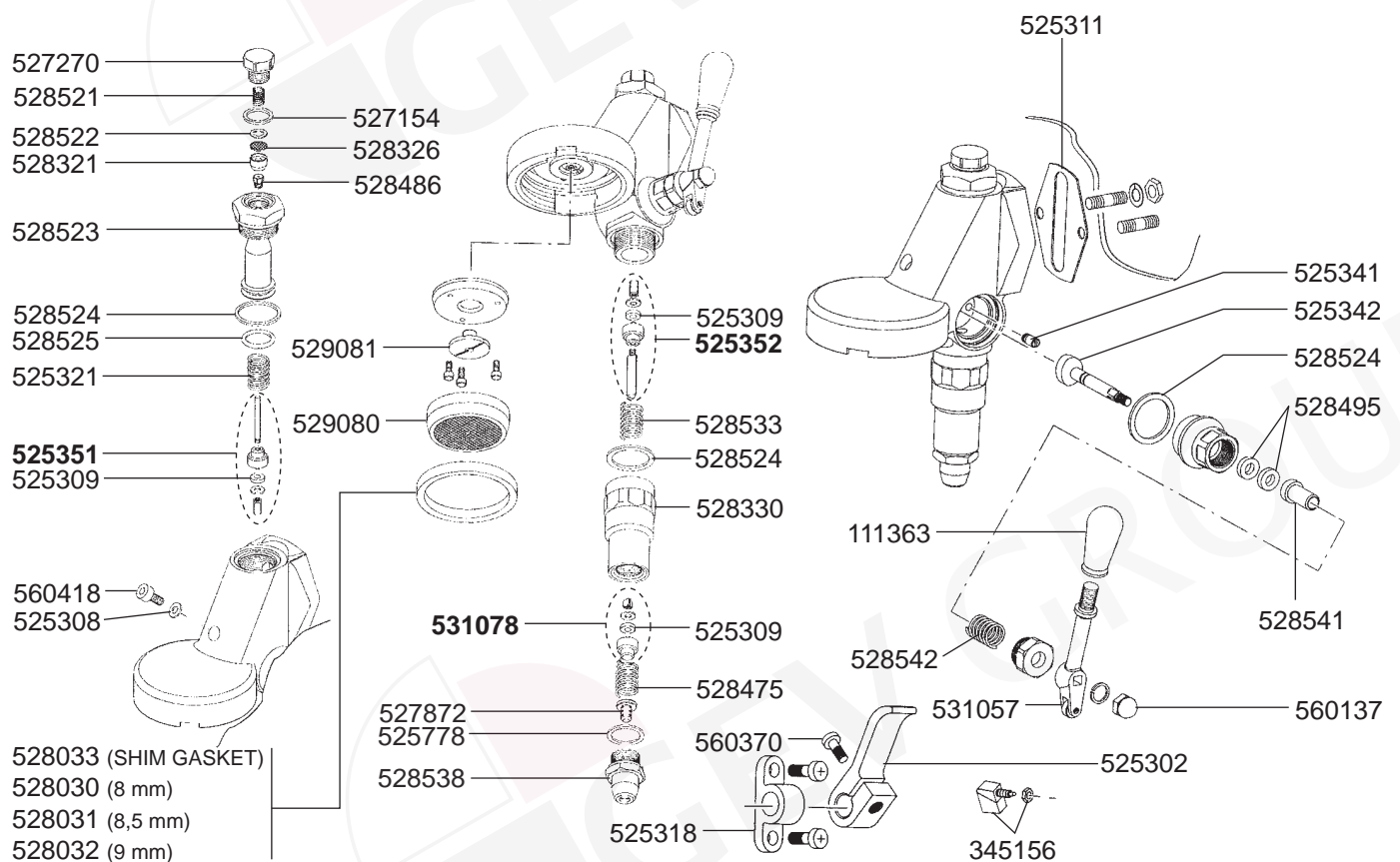
## SOLENOID GROUPS



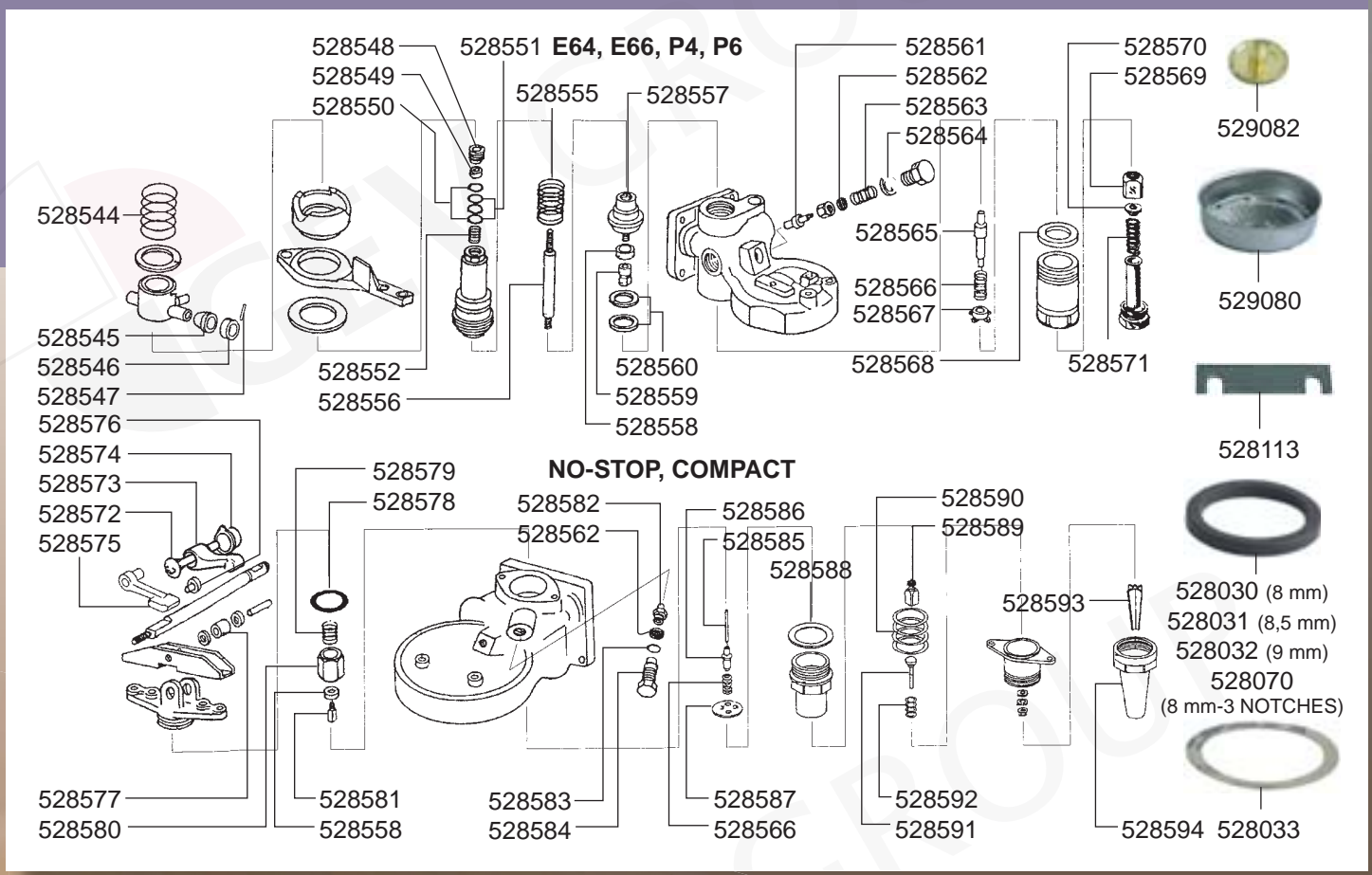
## SOLENOID GROUPS



## MANUAL GROUP



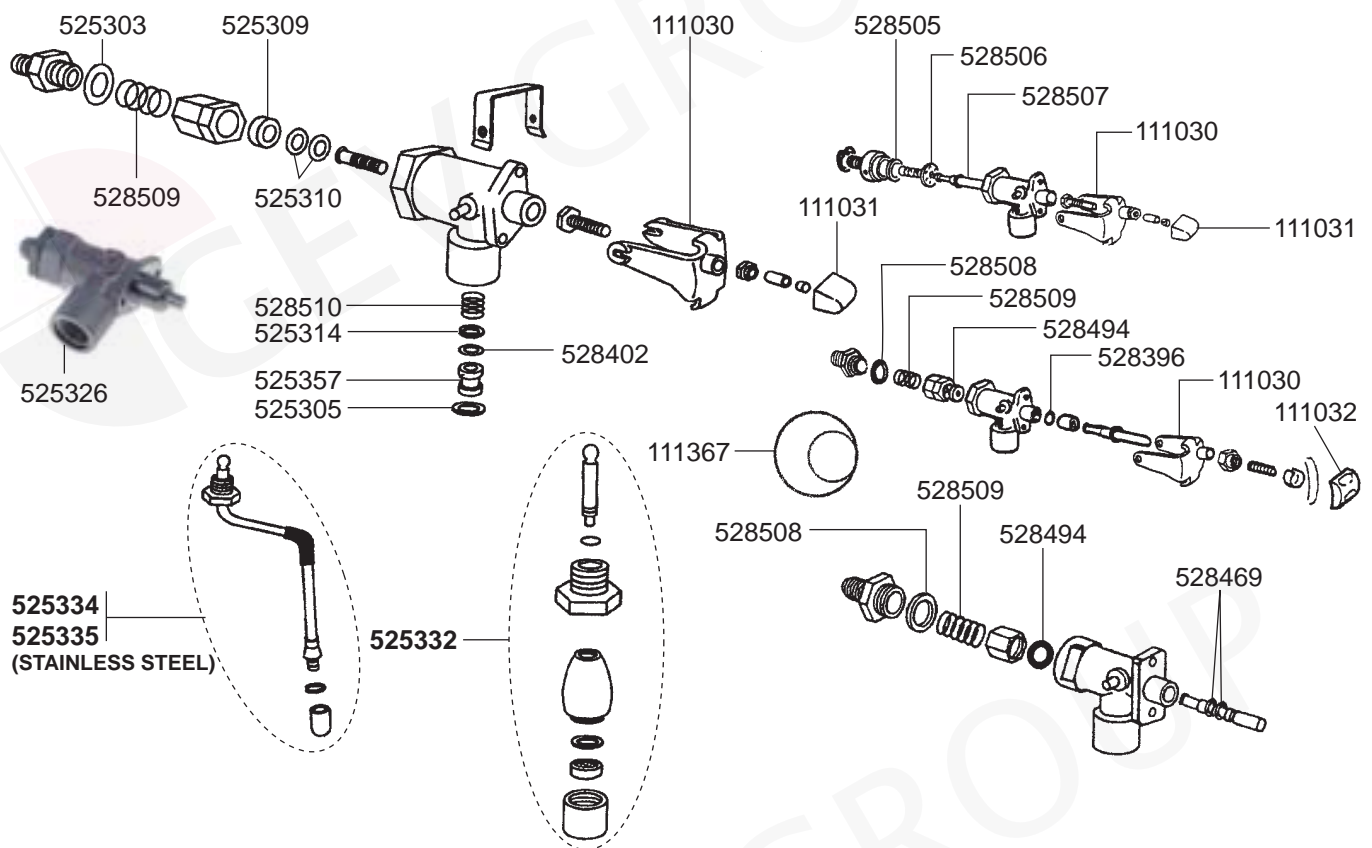
## MANUAL GROUP



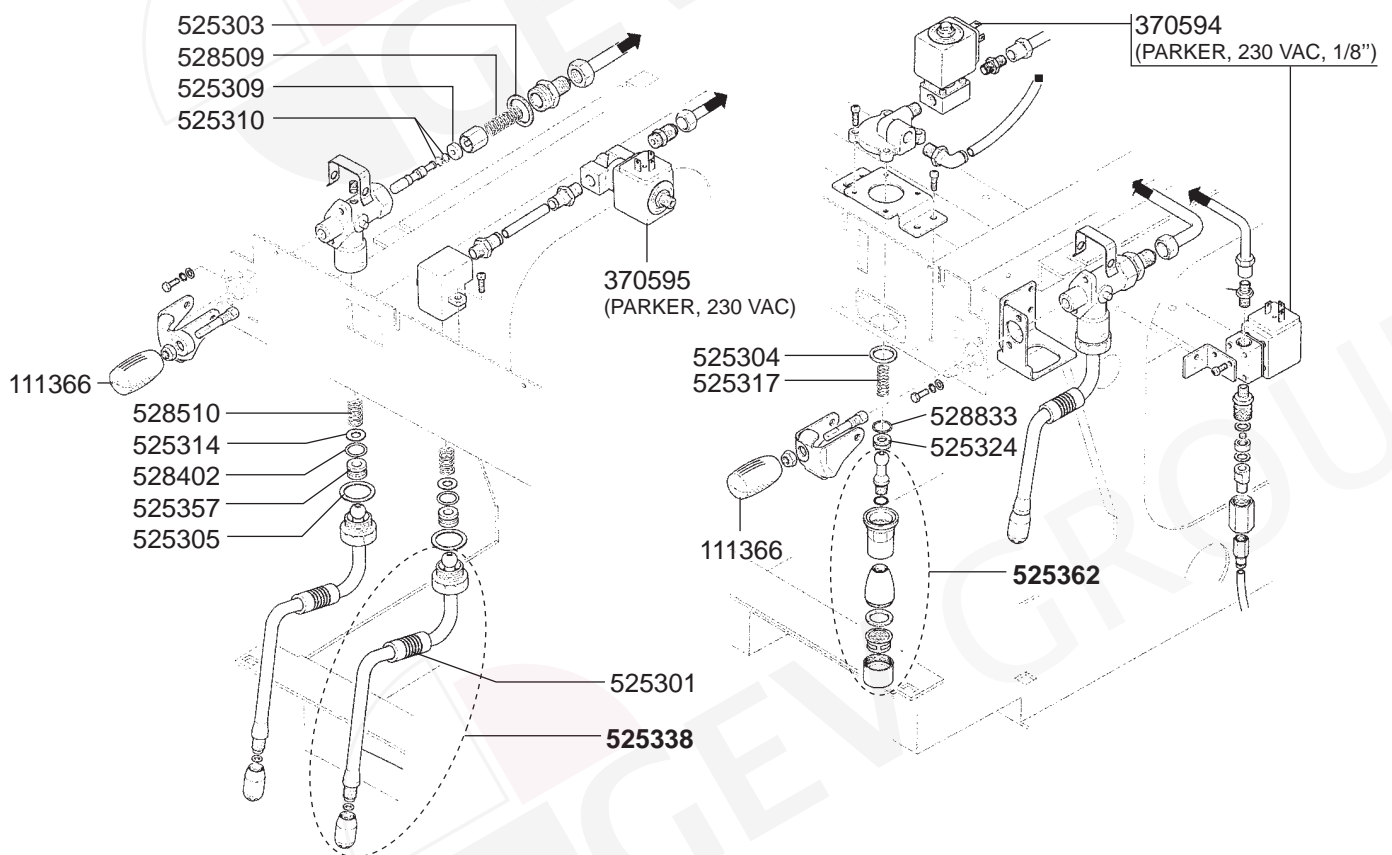
## FILTER HOLDERS



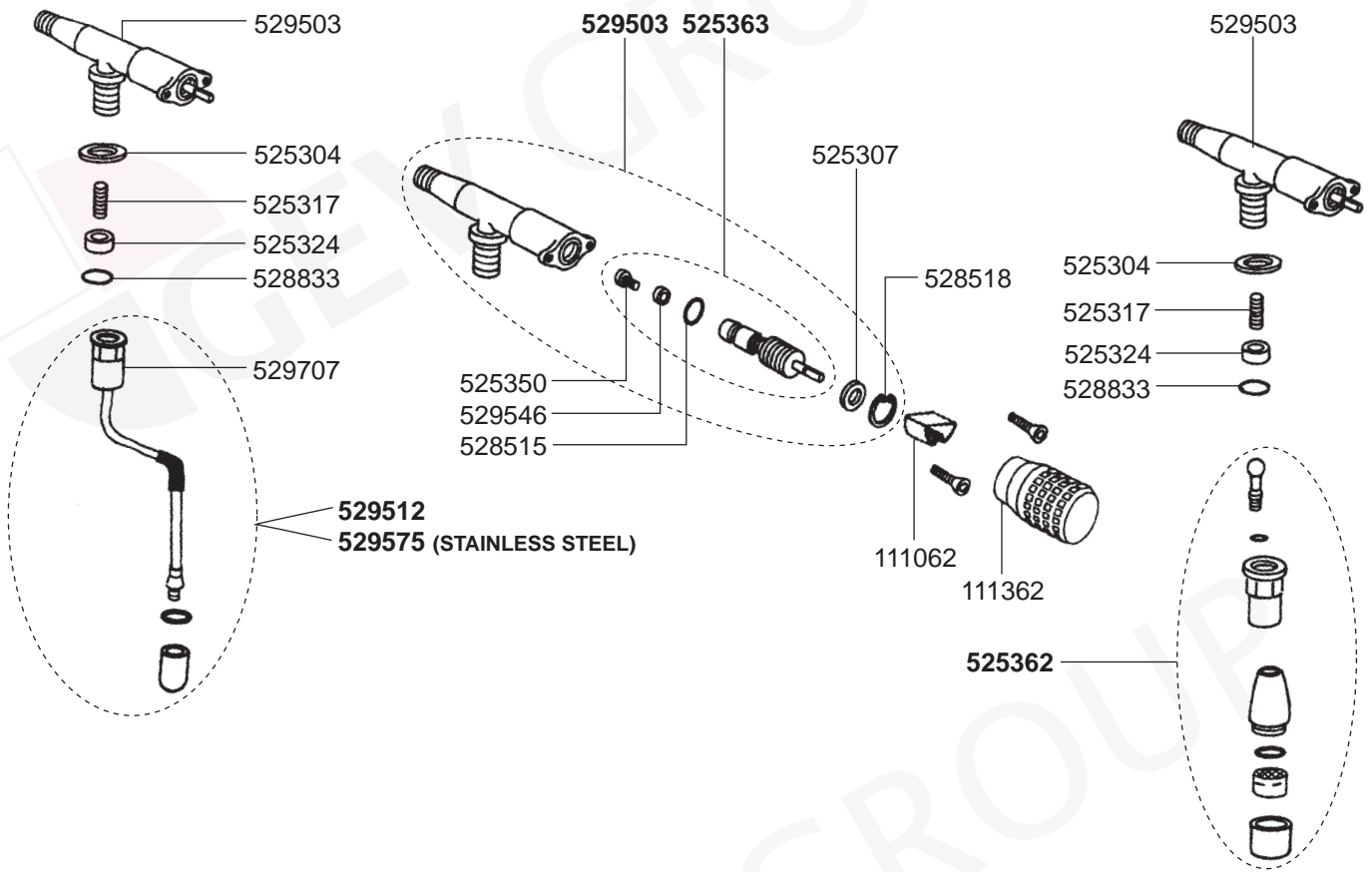
## STEAM/WATER TAPS E91/DUE/DIPLOMAT



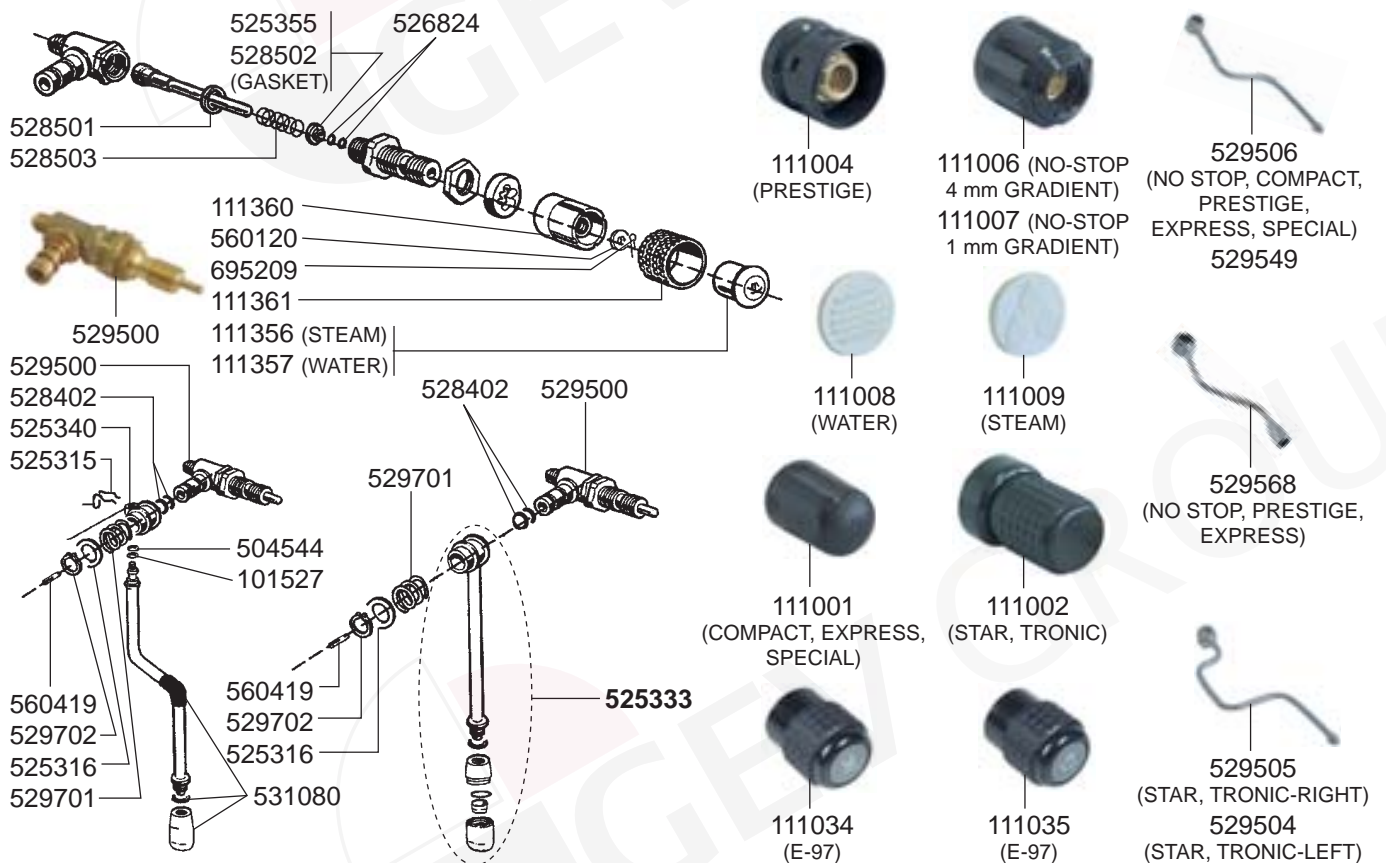
## STEAM/WATER TAPS E92 ELITE A/S - E92 RESTYLING A/S



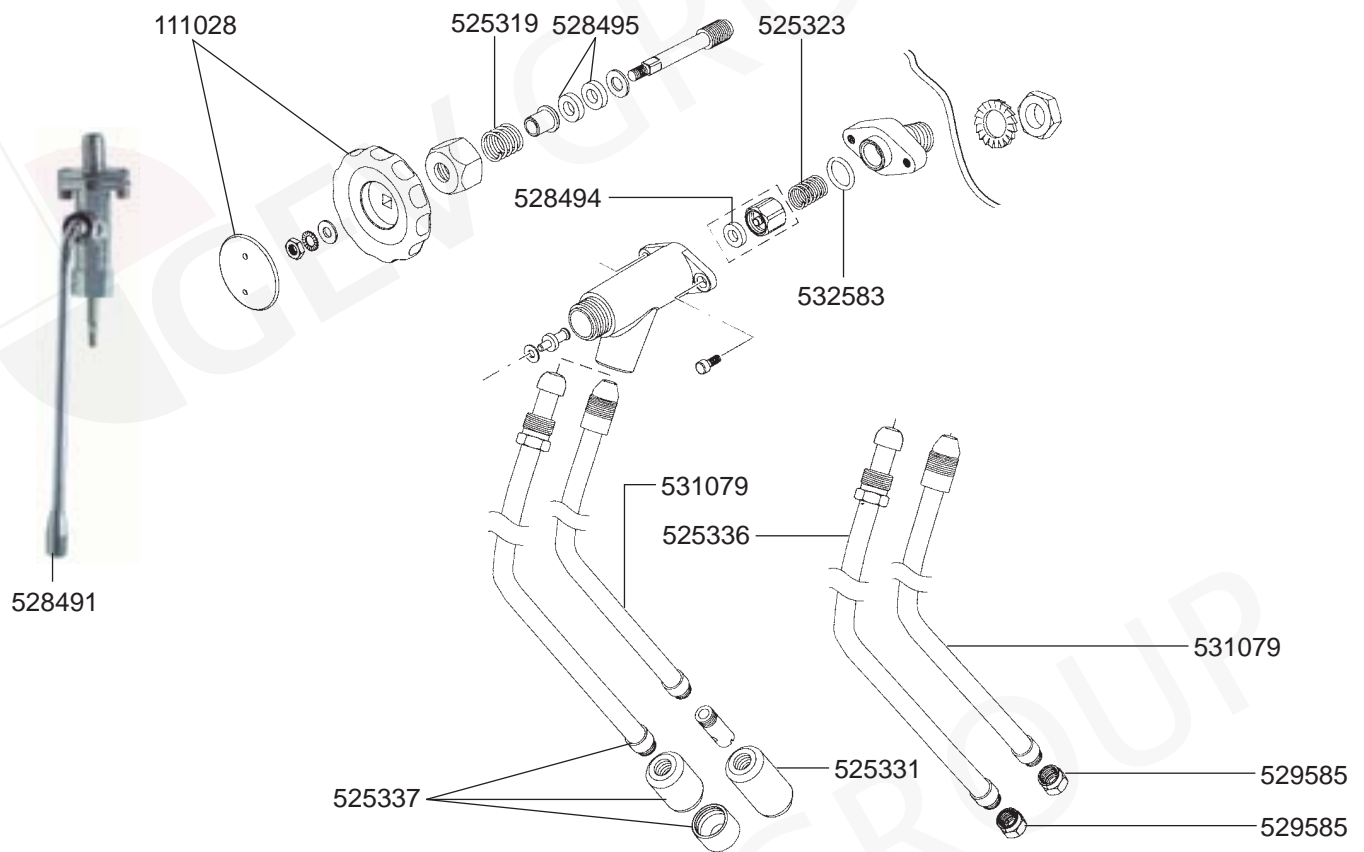
## STEAM/WATER TAPS E98 PRESIDENT A/S



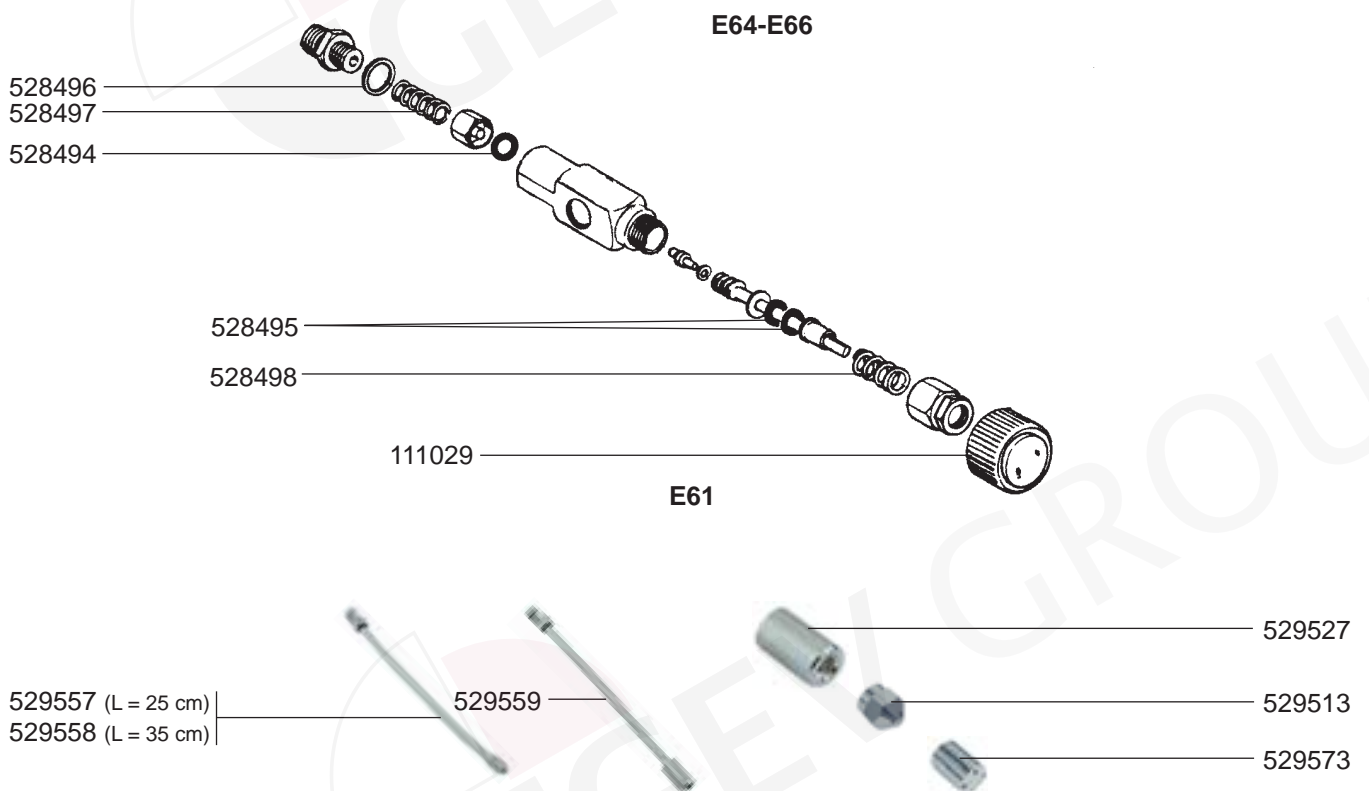
## STEAM/WATER TAPS E98 A/S - NO STOP - COMPACT - PRESTIGE - EXPRESS - SPECIAL



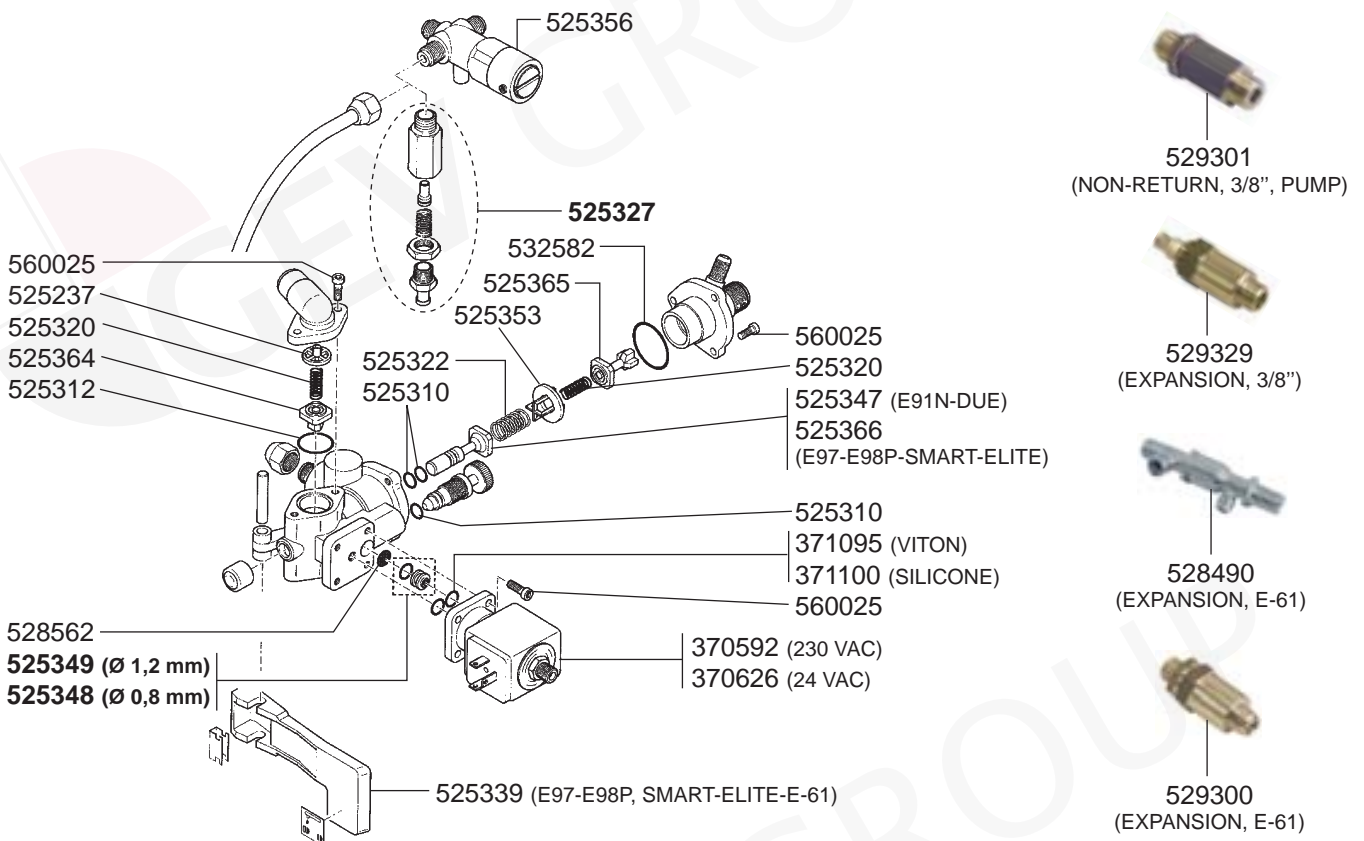
STEAM/WATER TAPS E61



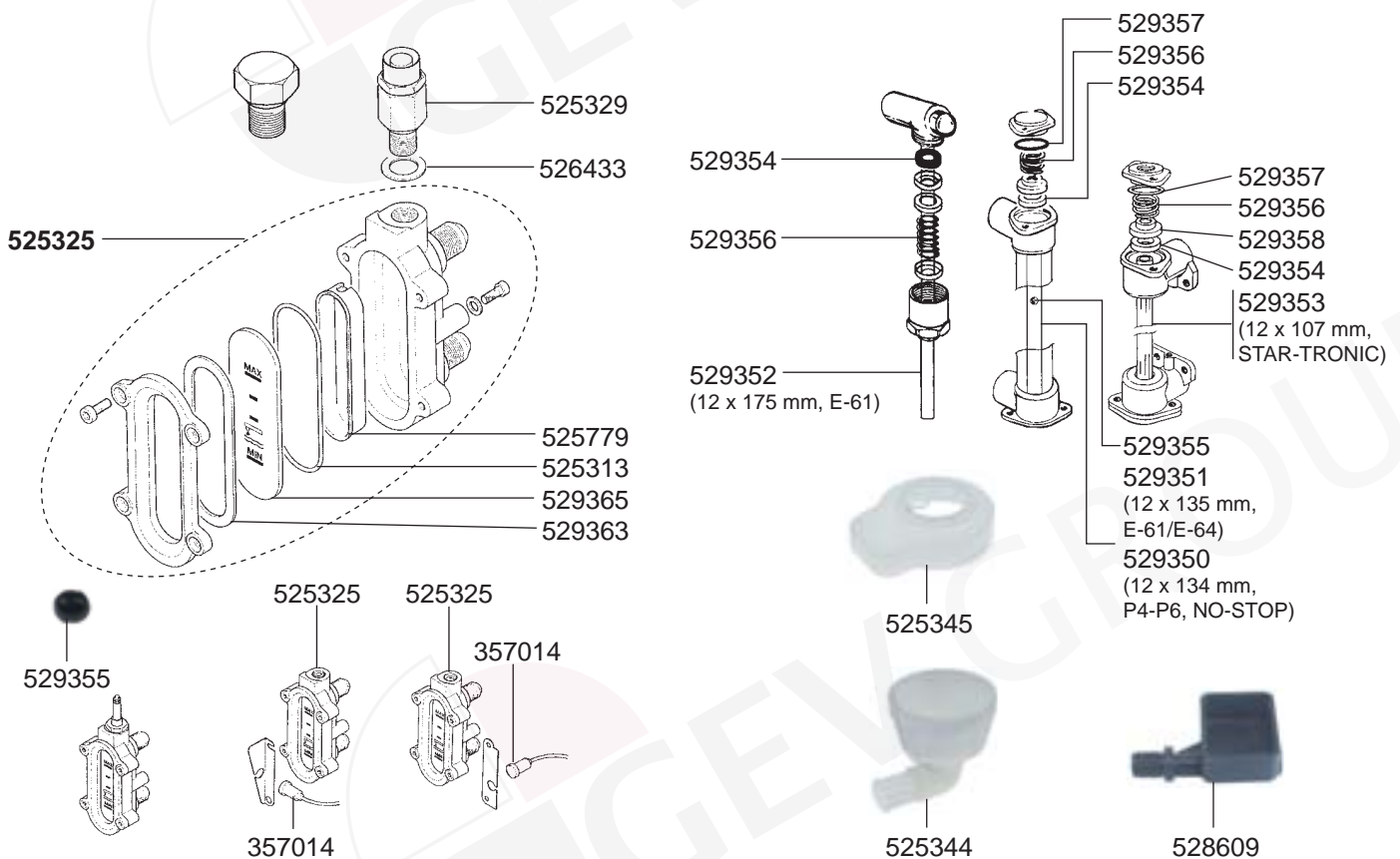
STEAM/WATER TAPS E64-E66-E61



## VALVES



## LEVEL INDICATOR/DRIP TRAYS



## MANOMETERS



541200  
(0-3 BAR, E-61)



541201  
(0-16 BAR, E-61)



541202  
(E-64, E-66)



541203  
(NO-STOP, P4, P6, DUE,  
SPECIAL, EXPRESS, STAR,  
SMART, E-98P, E-97)



541207  
(0-15 BAR,  
SUPERTRONIC)



541205  
(0-2,5 BAR, E-91, E-92)



541206  
(0-16 BAR, E-91, E-92)

## BOILER VARIOUS



417002 (1 GR-230 VAC-1500 W)  
417003 (1 GR-230 VAC-1800 W)



417202 (2 GR-230/400 VAC-3750 W)  
417112 (2-3 GR-230/400 VAC-4500 W)



417107 (1 GR-230 VAC-2600 W)  
417001 (2 GR-230 VAC-2600 W)  
417108 (2 GR-230 VAC-3500 W)  
417109 (3 GR-230 VAC-3700 W)  
417110 (3 GR-230 VAC-5000 W)



528022 (PTFE)



417083  
(1 GR-230 VAC-1500 W COMPACT-A)



390166



528488 (FIBER)



417004  
(1-2 GR-230 VAC-2400 W COMPACT)



417103 (2 GR-230 VAC-2600 W)  
417104 (2 GR-230 VAC-3700 W)  
417106 (3 GR-230 VAC-5000 W)



528488 (FIBER)



528022 (PTFE)



525652



390154



550006



550350



550351



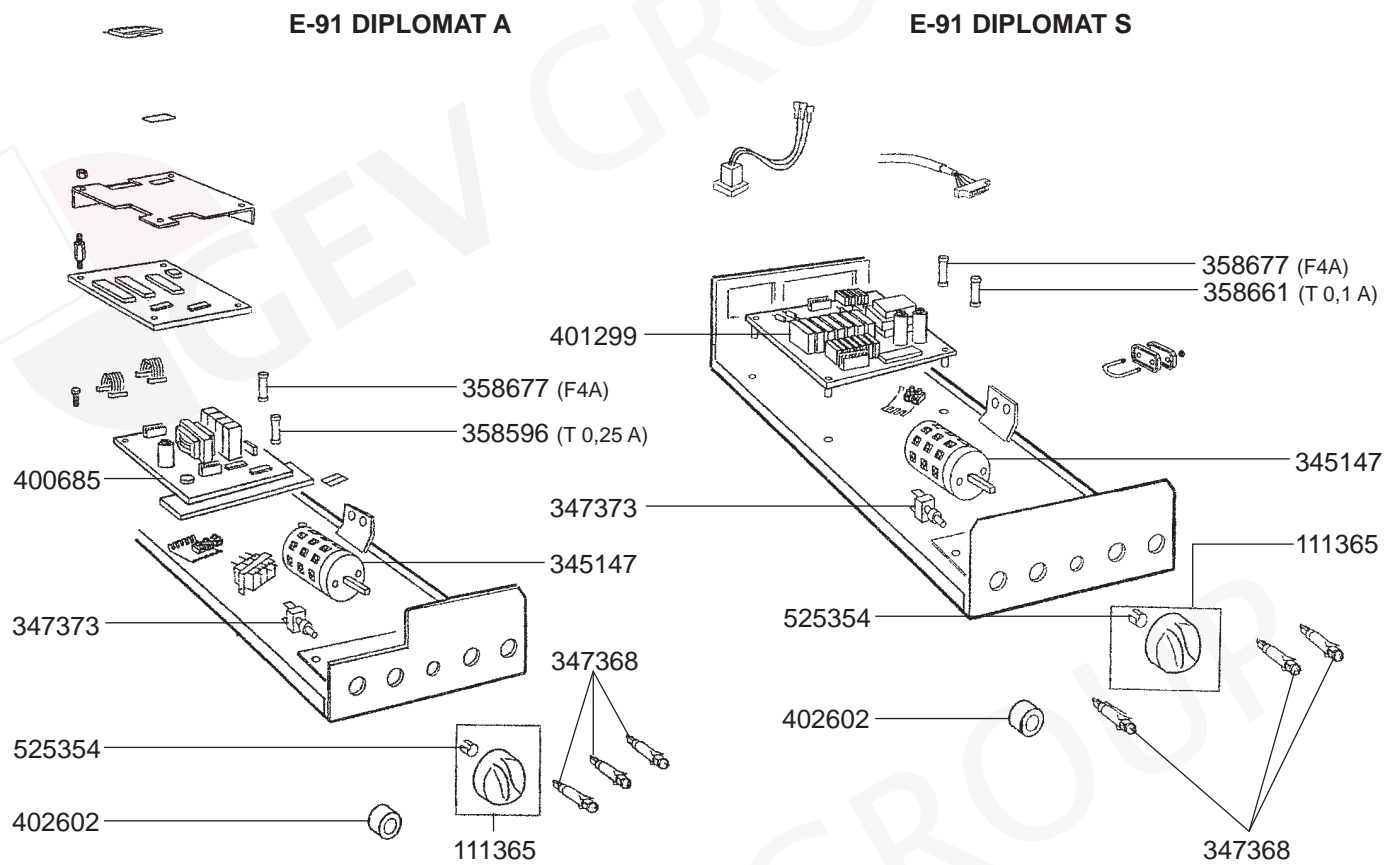
## 1 BOILER VARIOUS

417113 (1000 W, 230 VAC, FAMILY)  
 417114 (1000 W, 230 VAC, AMICA)  
 417115 (850 W, 230 VAC, CIAO)  
 528849 (HEATING ELEMENT)  
 528232 (POT GASKET)  
 528100 (NO-STOP, PRESTIGE)  
 528103 (16 HOLES, E-61, ARIETE)  
 528104 (16 HOLES, E-61, ARIETE)  
 528108 (12 HOLES, E-61, ARIETE)  
 528107 (12 HOLES, E-61, ARIETE)  
 528109 (12 HOLES, E-61, ARIETE)  
 528111 (12 HOLES, E-61, ARIETE)  
 528106 (16 HOLES, E-61, ARIETE)  
 400082 (NTC)  
 528847  
 529360 (1/2")  
 400083  
 400032 (TRIAC)  
 528112 (12 HOLES, E-61, ARIETE)  
 390152 (M-4, 107 °C, COFFEE)  
 390153 (M-4, 135 °C, STEAM)  
 390370 (M-4, 145 °C, SAFETY)  
 529312 (3/8")  
 529316 (3/8")  
 529303 (1/4")  
 529304 (1/4")  
 529349 (3/8")  
 400020 (L = 150 mm)

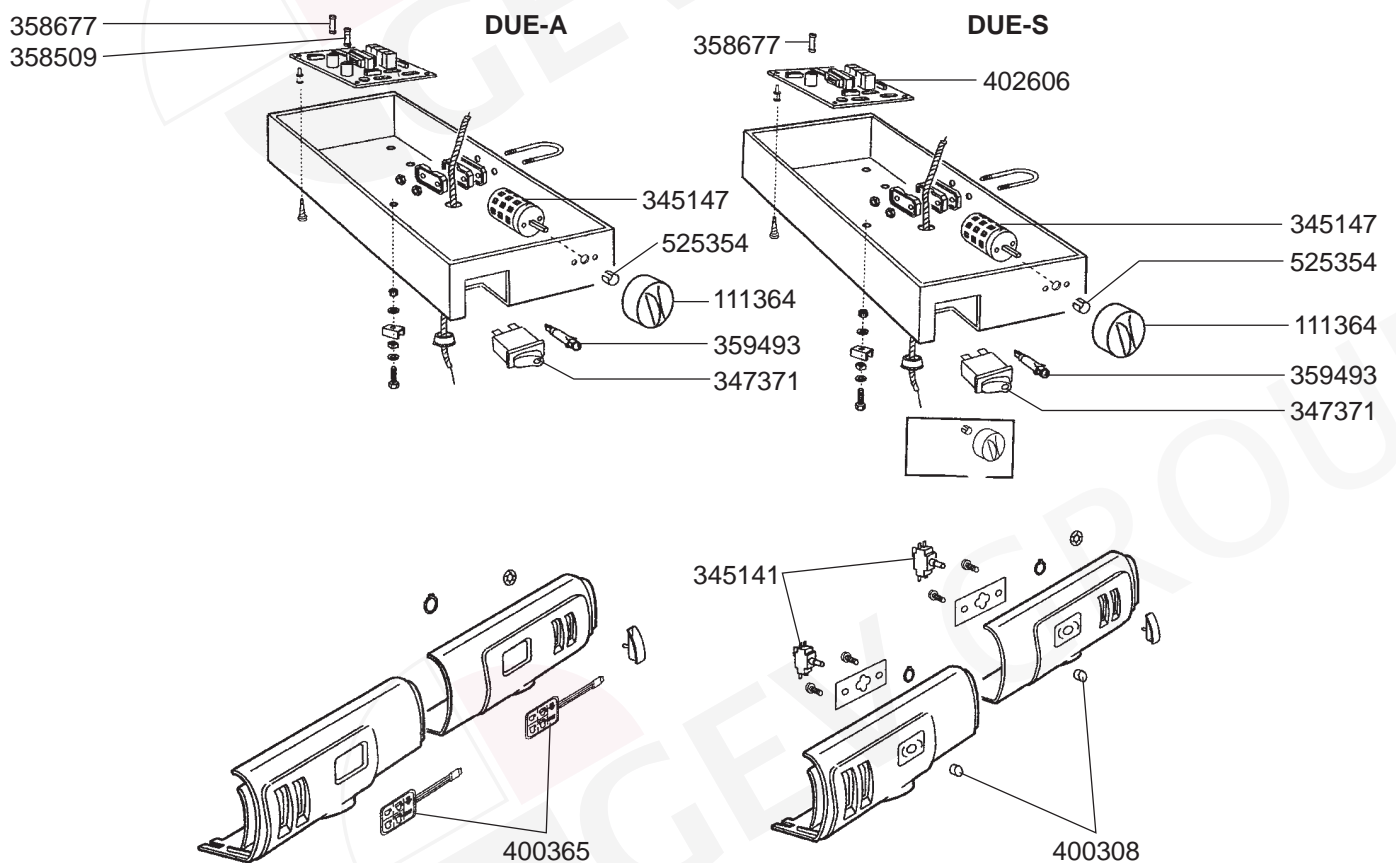
## ELECTRICAL COMPONENTS E91

400570  
 400307  
 400300  
 400303  
 400582  
 400574  
 400570  
 400302  
 400575  
 400305  
 400307  
 400301  
 400585 (3301-135184)  
 400581  
 400582  
 400304  
 400305  
 400302  
 400582

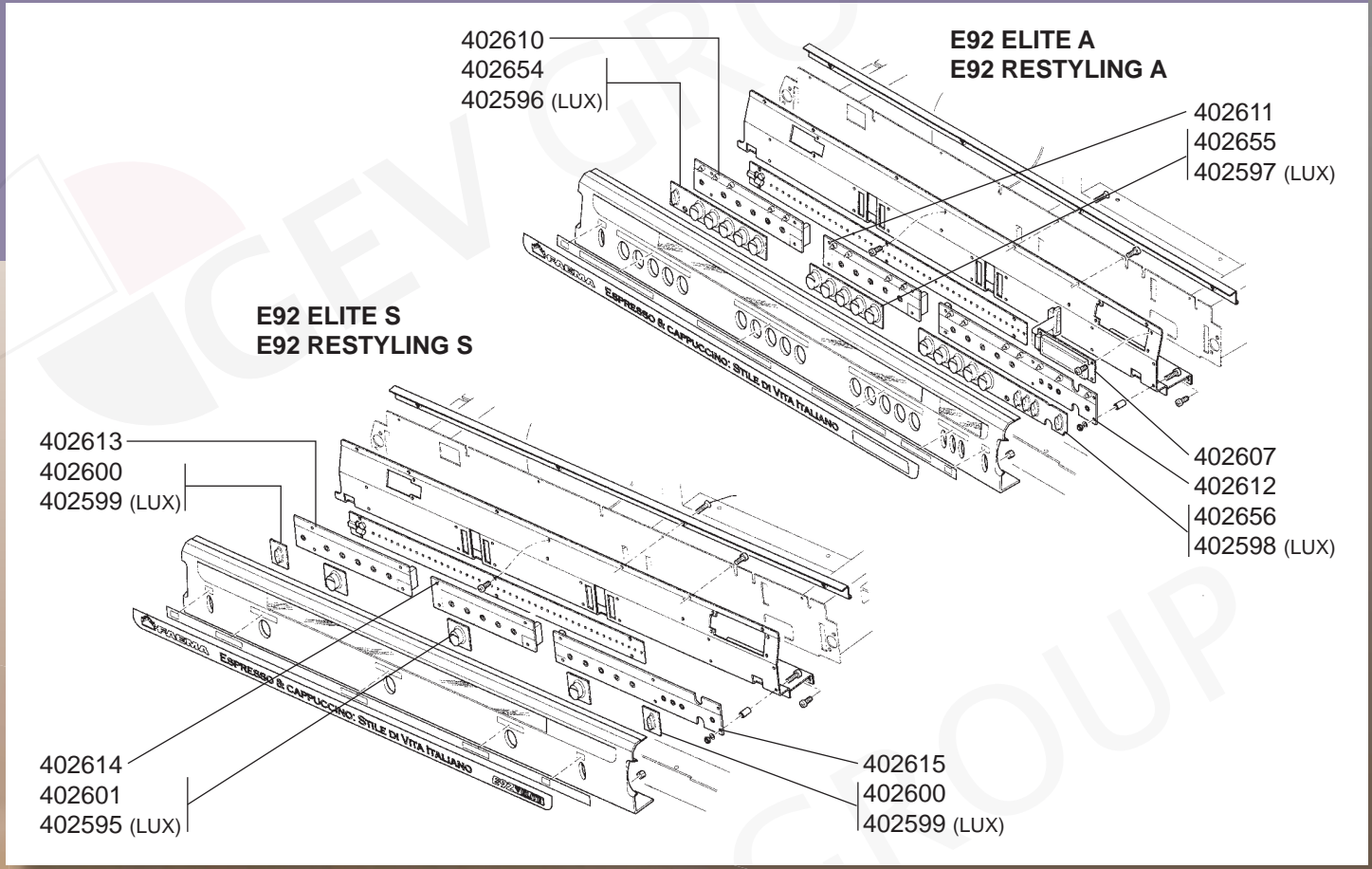
## ELECTRICAL COMPONENTS E91



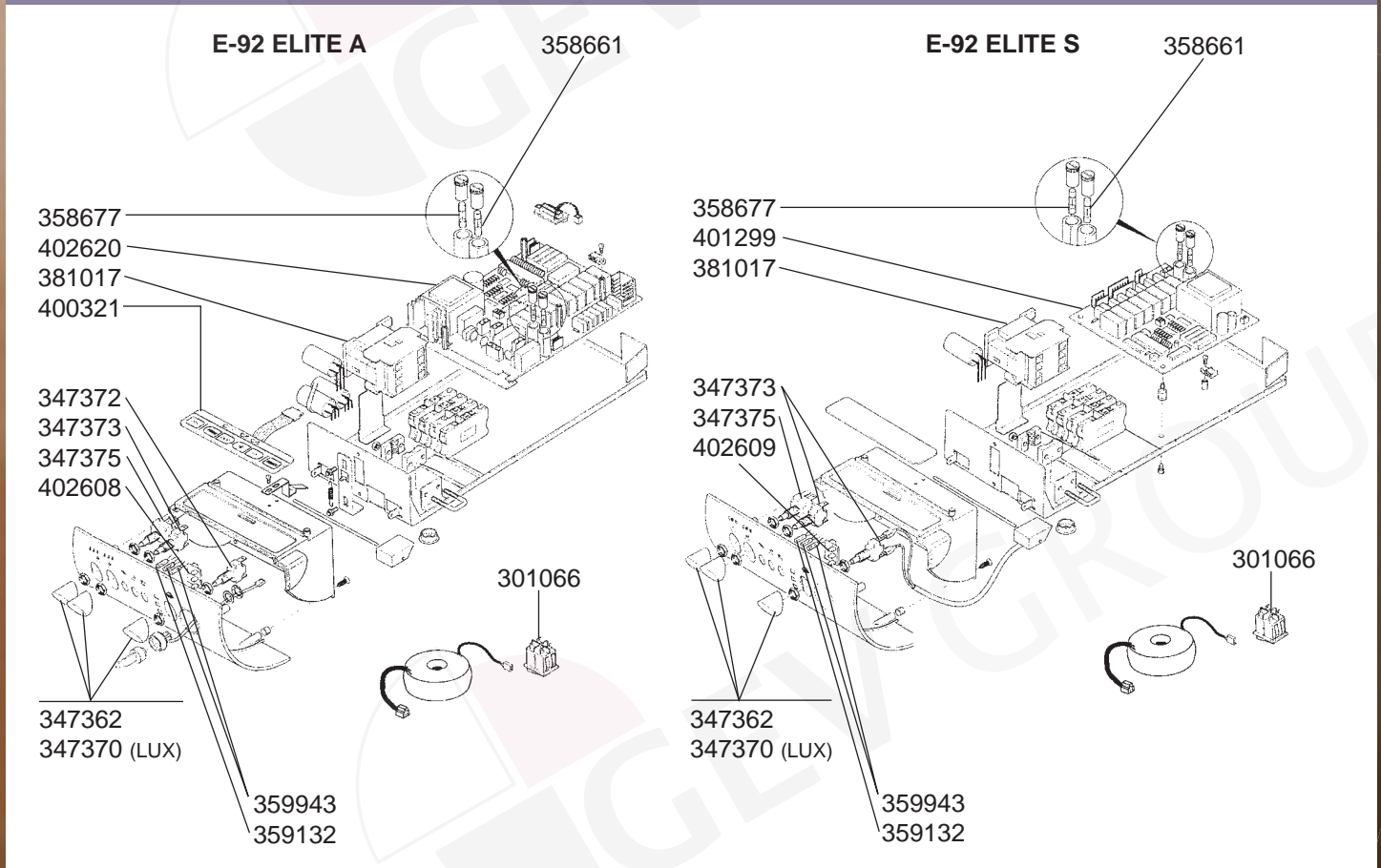
## ELECTRICAL COMPONENTS DUE A/S



## ELECTRICAL COMPONENTS E92

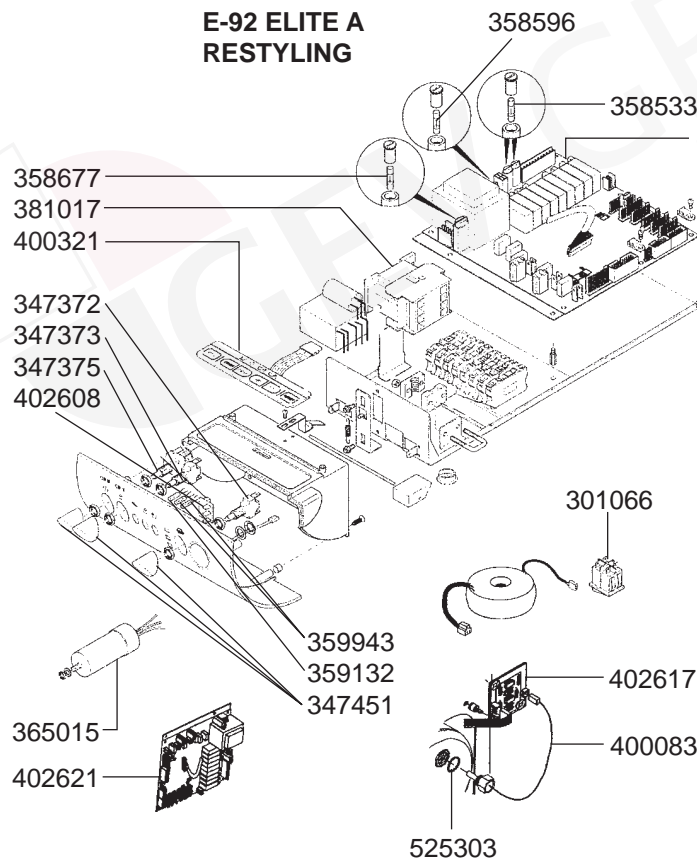


## ELECTRICAL COMPONENTS E92

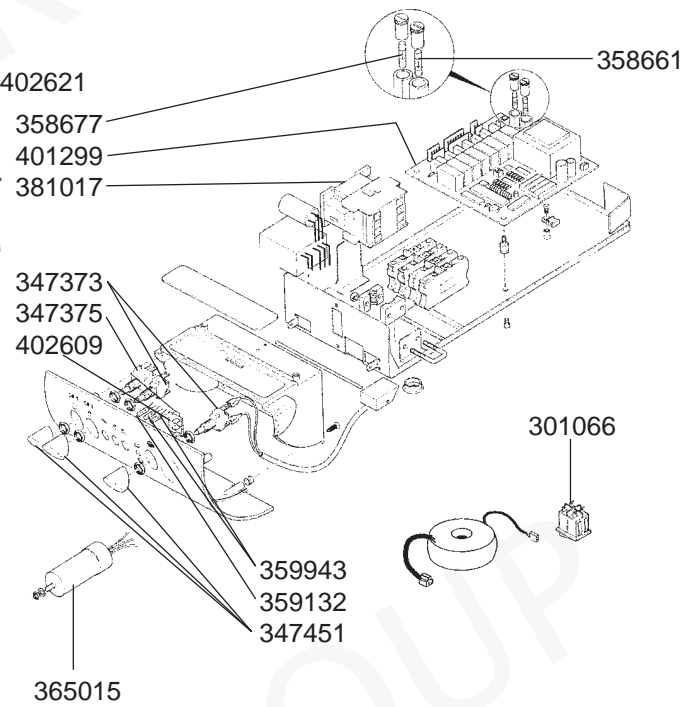


## ELECTRICAL COMPONENTS E92

**E-92 ELITE A  
RESTYLING**

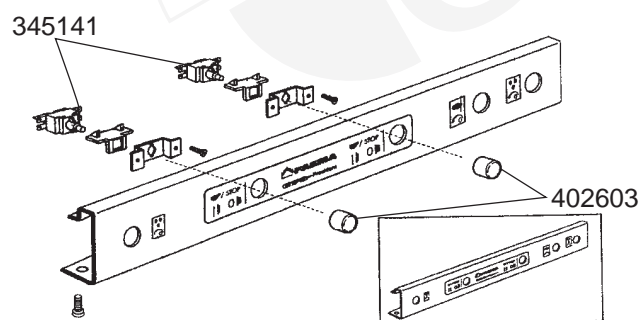


**E-92 RESTYLING S**

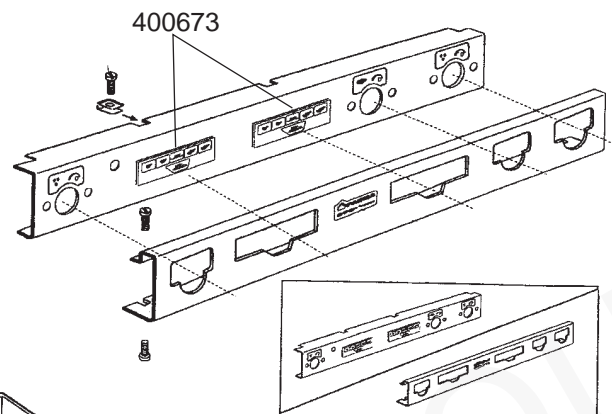


## ELECTRICAL COMPONENTS E98

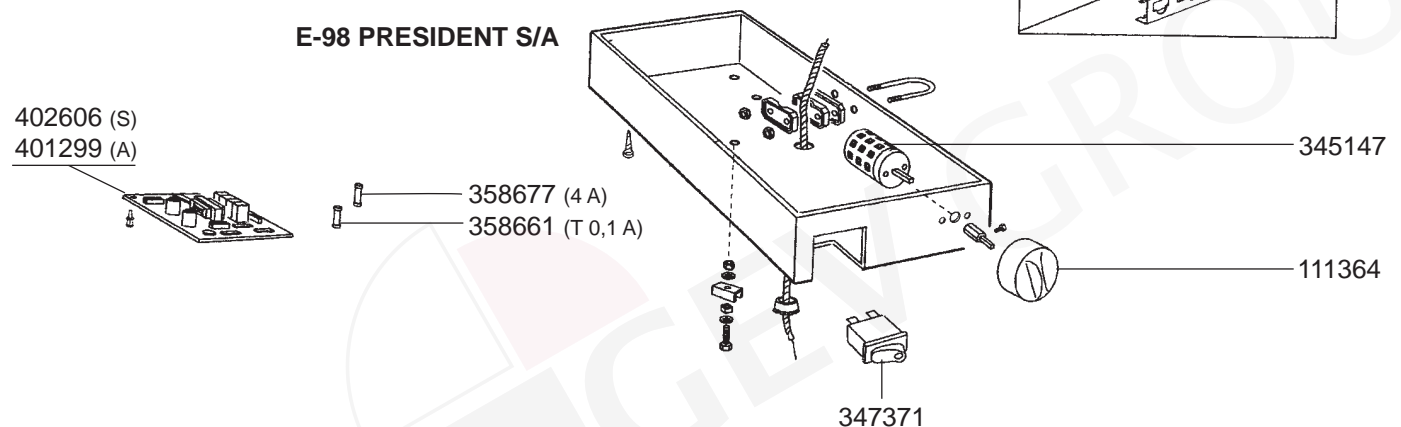
**E-98 PRESIDENT S**



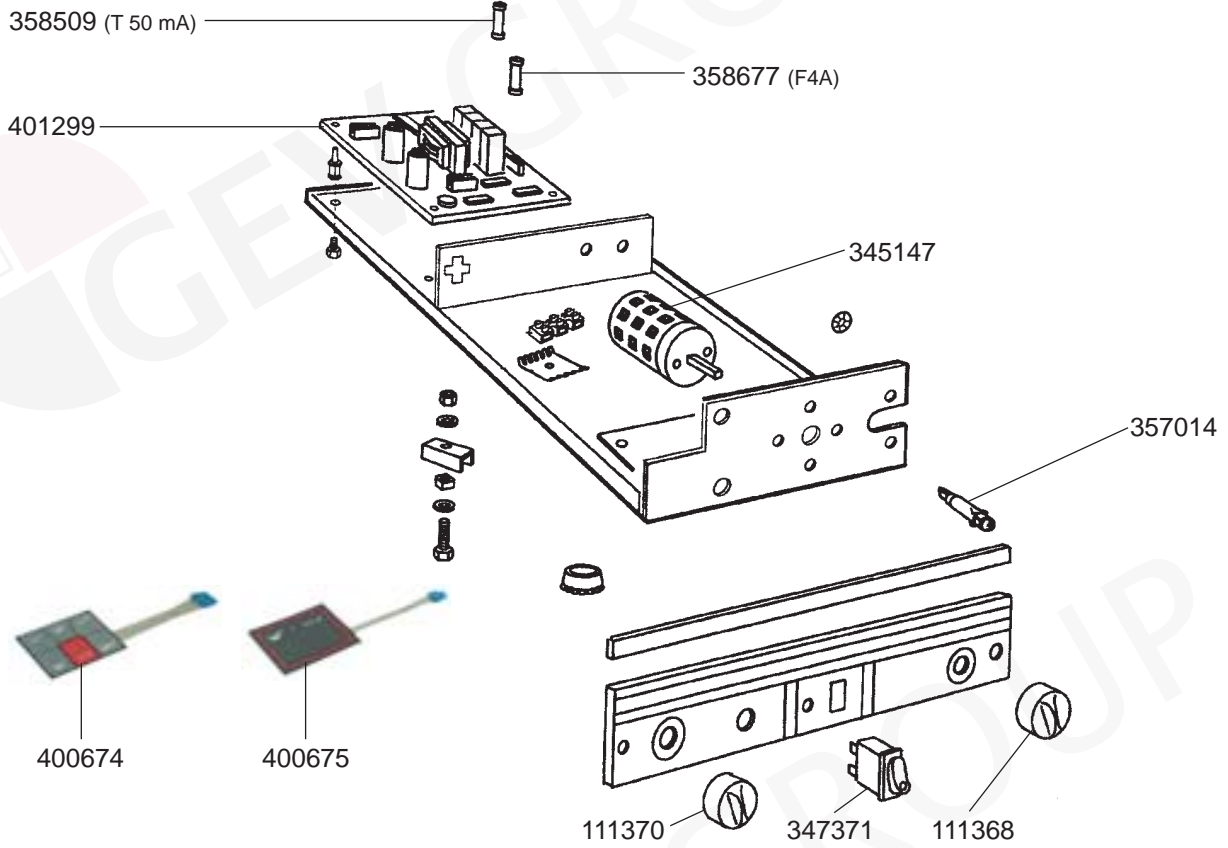
**E-98 PRESIDENT A**



**E-98 PRESIDENT S/A**



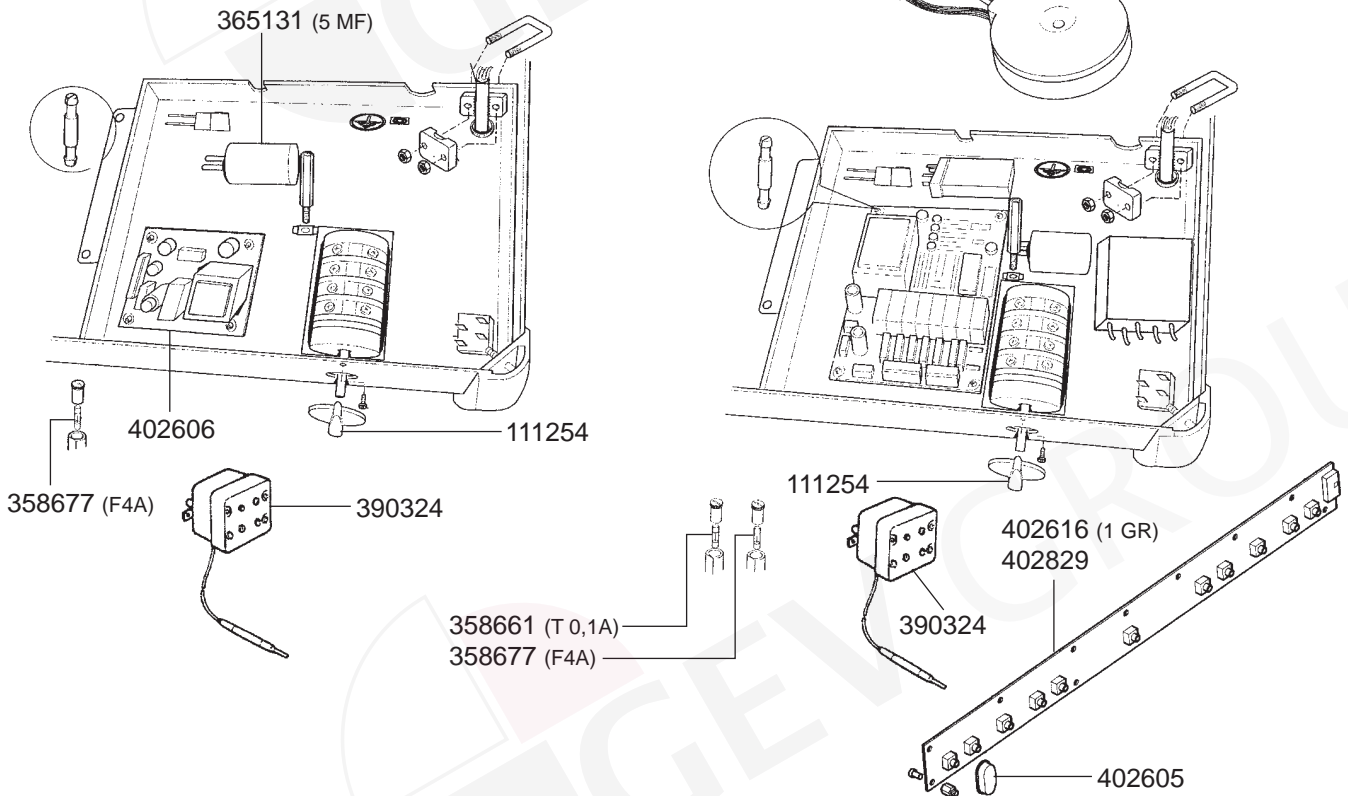
## ELECTRICAL COMPONENTS E97 A/S



## ELECTRICAL COMPONENTS E61

### E-61 LEGEND

### E-61 JUBILE



## ELECTRICAL COMPONENTS VARIOUS



## ELECTRICAL COMPONENTS VARIOUS



## ELECTRICAL COMPONENTS VARIOUS



345145  
(P4-P6)



345147  
(NO-STOP, STAR-TRONIC, SPECIAL, EXPRESS, E-91, DUE)



345150  
(COMPACT)



110205



345033  
(SWITCH)



345142  
(SWITCH)



345160  
(SWITCH)



345141  
(SWITCH, 2 POLES)



345130  
(PUSH BUTTON, 1 POLE)



400308



346009  
(CUP WARMER SWITCH)



345156  
(E-61)



345269  
(P4/P6)



346006  
(NO-STOP)



346007  
(STAR-TRONIC)



359043  
(Ø 12 mm, 230 VAC, RED)



359138  
(Ø 10 mm, 230 VAC, RED)



359140  
(Ø 10 mm, 230 VAC, YELLOW)



359401  
(Ø 8 mm, 230 VAC, RED)



400010  
(RL70/1E/2C/8)



380137  
(8 POLES)



400020  
(L = 150 mm)