

GALATEA



BEZZERA

Dal 1901

COD. 9942027.06

REV.00

POS	CODE	DESCRIPTION	
TABLE 1 Mod. MN - DE	1	5074423DL	FRONT BASEMENT FRONTAL
	2	5074424DL	REAR BASEMENT FRONTAL
	3	7817801	SCREW TPS M4 X 16 DIN 7688 A2
	4	7816002	SCREW TCEI M4X12
	5	5340500LL	RIGHT-LEFT LATERAL SIDE MN VERSION
	5	5340511LL	RIGHT-LEFT LATERAL SIDE DE VERSION
	6	5073628LW	RIGHT LATERAL SIDE
	7	5073629LW	LEFT LATERAL SIDE
	8	5227003NE	SCREW M8 X 18 OT NICKEL-PLATED
	9	5961532	CENTRAL PANEL
	12	5370002	REAR PANEL PLEXIGLASS
	13	1R1322CM	SPACER Ø20 H15
	14	5093012LW	FRONT COVER
	15	7819902	SCREW TTEI M4X20
	16	5094247SG	GROUP FRONTAL MN VERSION
	16	5094253SG	GROUP FRONTAL DE VERSION
	17	5015743LL	FRAME CROSS BAR
	18	7819901	SCREW TTEI M4X12
	19	7814001	WASHER Ø 4
	27	7806406ZB	SCREW TE M8X20
	28	5050617LW	CUPS-HEATER
	29	5162179LL	STEAM CUP-HEATER PIPE
	30	5221825	NUT M12X1 H3,5
	31	7496023	GASKET OR 106 VITON
	32	5224403	RUBBER-HOLDER D11 OT
	33	5492022	GASKET D25 X 17 X 2
	34	5225230	FITTING 3/8" G
	35	5194595	HOSE Ø15X10 L=500MM SILICONE
	36	7611502	CLAMP D14
	37	7819908	SCREW TTEI M4X8
	38	5074611LW	CUPS-HEATER GRID
	39	5163184CM	RH CUP-HEATER PIPE
	40	5163185CM	LH CUP-HEATER PIPE
	41	5163186CM	REAR CUP-HEATER EDGE PIPE
	42	7816017	SCREW TCEI M4 X 6
	43	5070653ST	TRAY POLISHED
	44	5074610LW	GRID
	46	7999904	ADHESIVE RUBBER TOP

TABLE 1
Mod. MN - DE

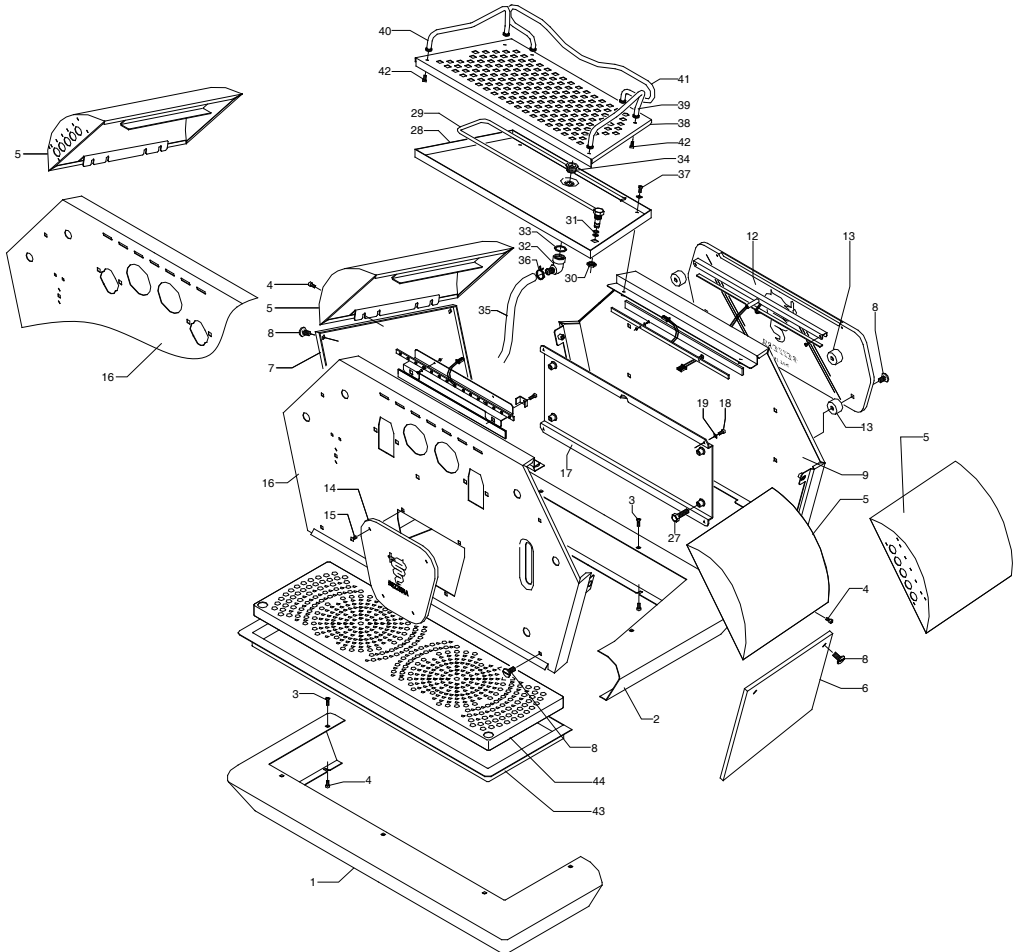
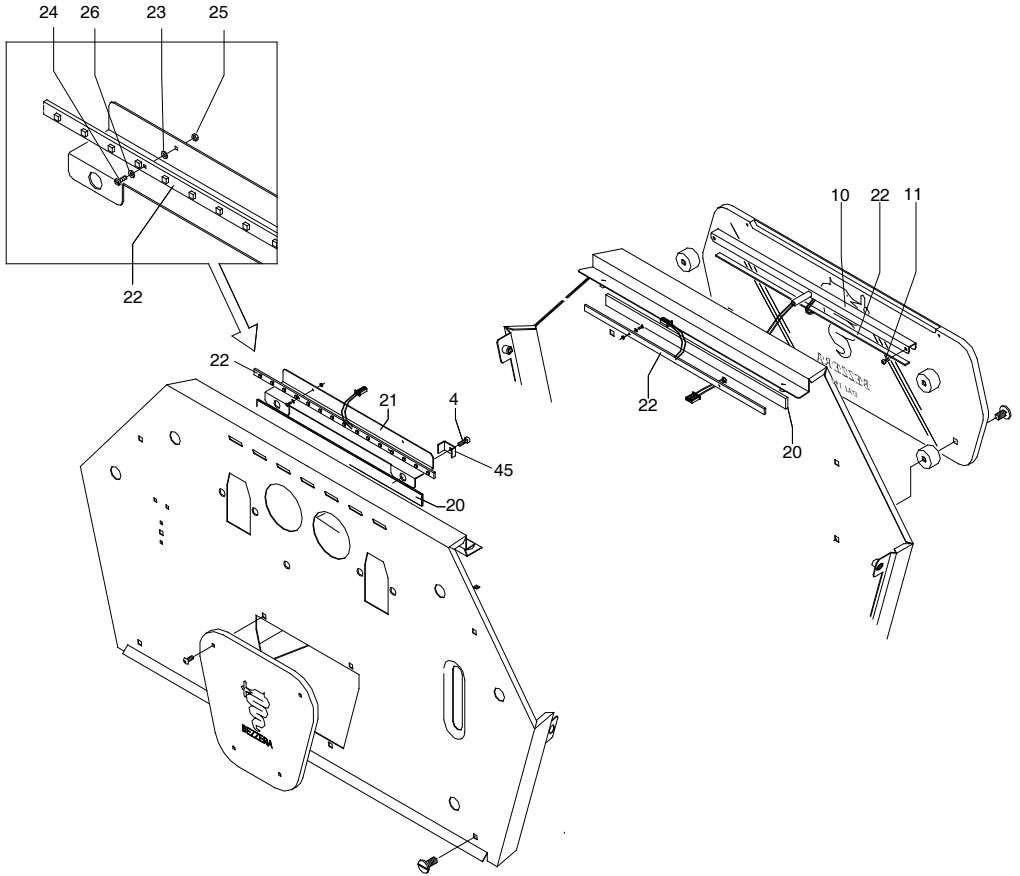


TABLE 1A (up to 08.09.10)
Mod. MN - DE



	POS	CODE	DESCRIPTION
DE	4	7816002	SCREW TCEI M4X12
DE	10	5098405LL	SUPPORT PLEXIGLASS
DE	11	7816016	SCREW TCEI M3X6
DE	20	5370004	PLEXIGLASS SCREEN
DE	21	5058423.01LW	FRONT LIGHT BAR SUPPORT
DE	22	7663621LL	12V BLUE LIGHT BAR
DE	45	5038103LW	FRONT LIGHT SUPPORT BRACKET

TABLE 1A (from 09.09.10)
Mod. MN - DE

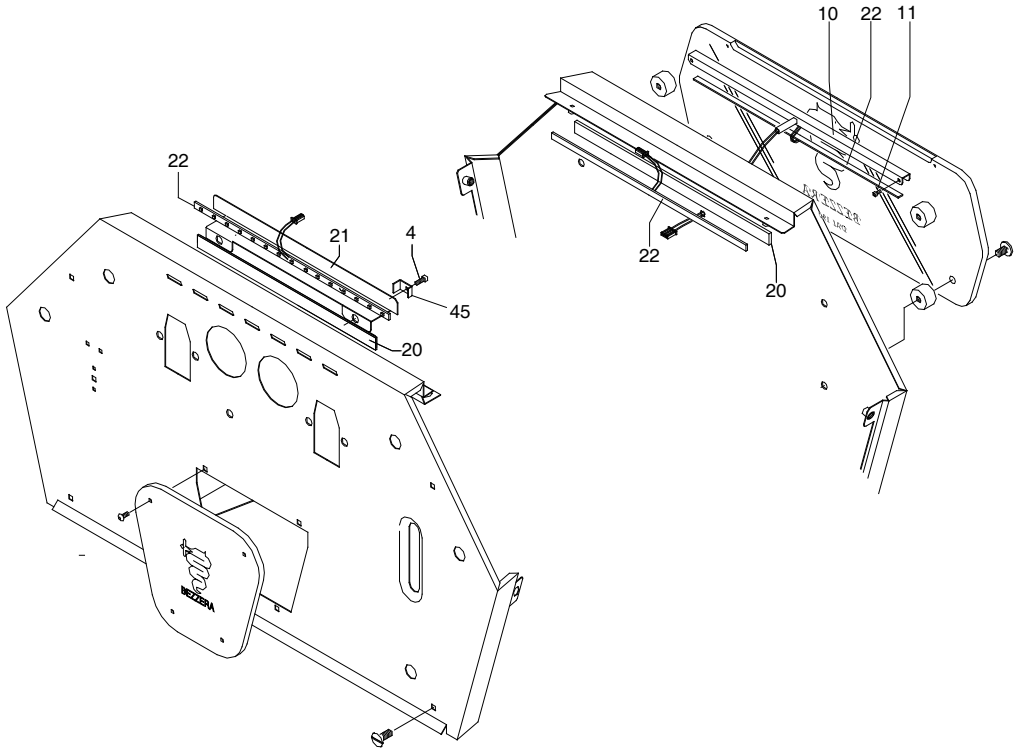
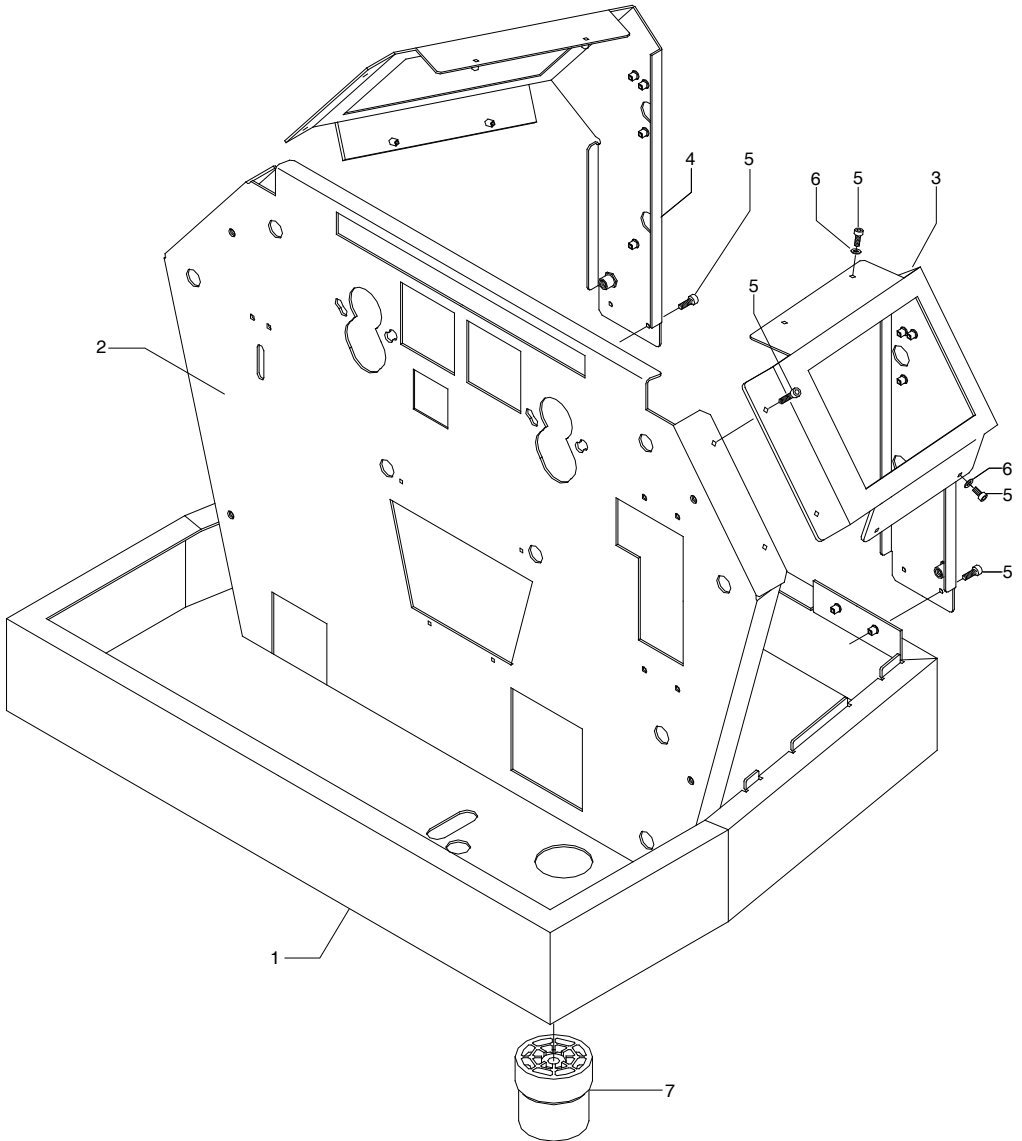
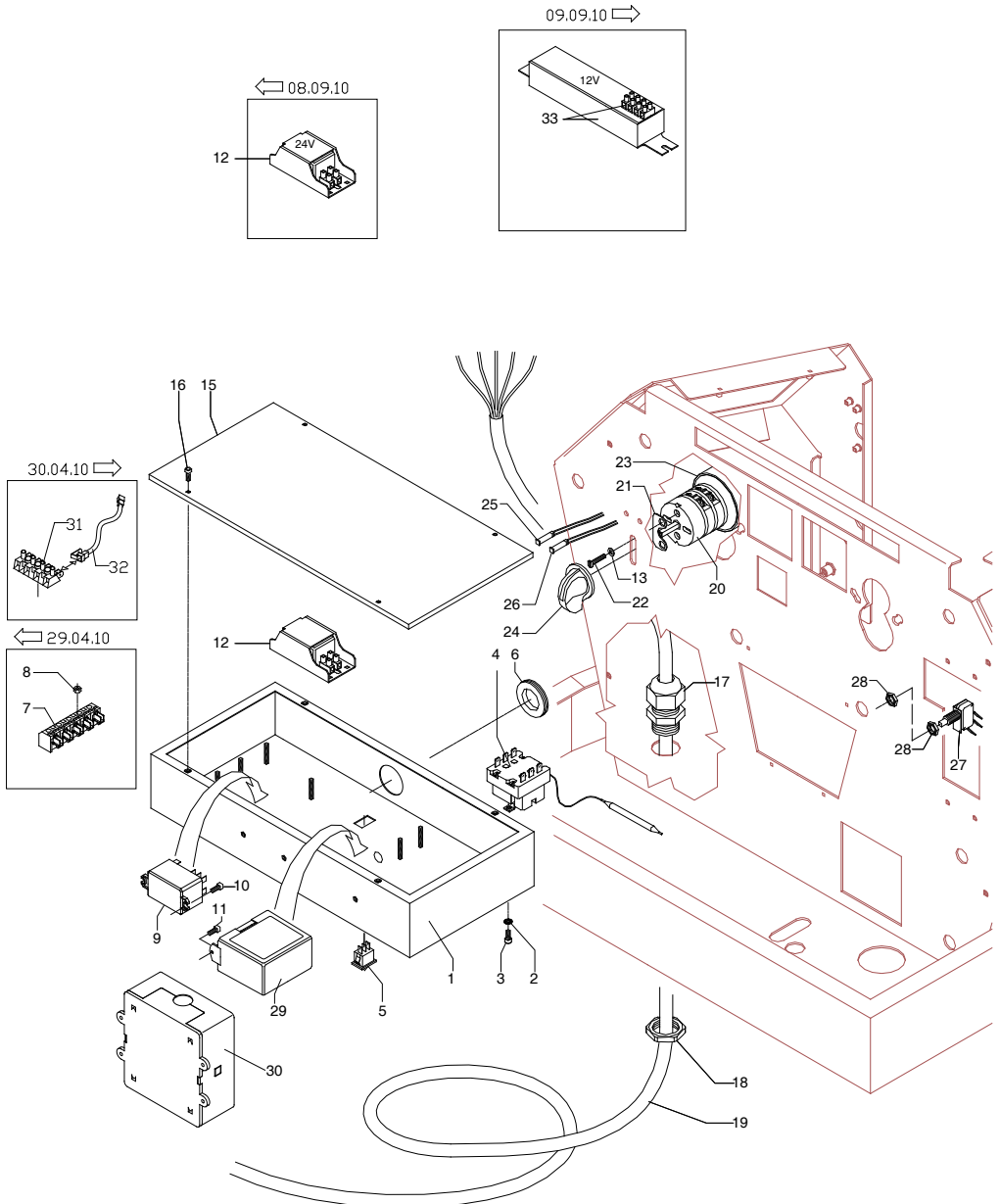


TABLE 2
Mod. MN - DE



	POS	CODE	DESCRIPTION
TABLE 3 Mod. MN - DE	1	5052403.01LL	ELECTRIC BOX
	2	7814001	WASHER Ø 4
	3	7816017	SCREW TCEI M4X6
	4	7434001	THERMOSTAT MANUAL
	5	7633333	LIGHT RED SWITCH
	6	7613001	FAIRLEAD P36 RUBBER
	6	1R9006656	FAIRLEAD D48 RUBBER
	7	7612501R	CLAMP 5 CONTACTS KL24/5
	8	5195001	NUT M4 NYLON
	9	7635422	RELAY 30A 240V
	9	7635423	2-CONTACT 30A 120V RELAY
	10	7816009	SCREW TCEI M4X10
	11	7816004	SCREW TCEI M4 X 16
	12	7660503LL	POWER PACK 190/265-24V
	12	7660504LL	POWER PACK 110-24V
	15	5053013LW	ELECTRIC BOX COVER
	16	7819908	SCREW TTEI M4X8
	17	7614002	CABLE-PRESS PG21 POLYAMIDE
	17	7614001	CABLE-PRESS PG16 POLYAMIDE
	18	7614004	NUT PG21 POLYAMIDE
	18	7614003	NUT PG16 POLYAMIDE
	19	3553904.01	CONNECTING CABLE 5X2,5 MM ² L=2,2MT (1-2-3-4GR 380-230/400V)
	19	3556003	CABLE SOOW 3X10AWG L=2,2MT (110V-220V USA)
	19	3552404.01	CONNECTING CABLE H07RNF 3X2,5 MM ² (220/240 V)
	20	7633320	BASEMENT SWITCH 2 POSITIONS 6 CONTACTS (up to 31.08.10)
	20	7633335	BASEMENT SWITCH 2 POSITIONS 6 CONTACTS (from 01.09.10)
	20	7633321	BASEMENT SWITCH 2 POSITIONS 4 CONTACTS (up to 31.08.10)
	20	7633336	BASEMENT SWITCH 2 POSITIONS 4 CONTACTS (from 01.09.10)
	21	5859911	INSULATING
	22	7630901	SCREW TCI M3,5X15
	23	7372503	SWTCH PROTECTION PLASTIC
	24	7371510	SWITCH KNOB
25	7633602.01	GREEN LAMP 110/240V	
26	7633606.01	RED LAMP	
27	7633901	MICROSWITCH 250V (up to 09/10/05)	
27	7633906	MICROSWITCH 250V (from 10/10/05)	
28	5221874CM	NUT M10X1 (up to 09/10/05)	
28	5221875CM	NUT M10X0,75 (from 10/10/05)	
29	7661033.01	LEVEL REGULATOR 3 PROBES 110/120V	
29	7661034.01	LEVEL REGULATOR 3 PROBES 220/230V	
29	7661035.01	LEVEL REGULATOR 3 PROBES 240V	
30	7662701	ELECTRONIC DOSAGE DE 110/120V	
30	7662702	ELECTRONIC DOSAGE DE 220/230V	
30	7662703	ELECTRONIC DOSAGE DE 240V	
31	7612513	CLAMP 4 CONTACTS	
32	5599917	CONNECTING CABLE CLAMP	

TABLE 3
Mod. MN - DE

	POS	CODE	DESCRIPTION
TABLE 3 Mod. MN - DE	33	7660505LL	POWER PACK 110/240V - 12V 1,7A

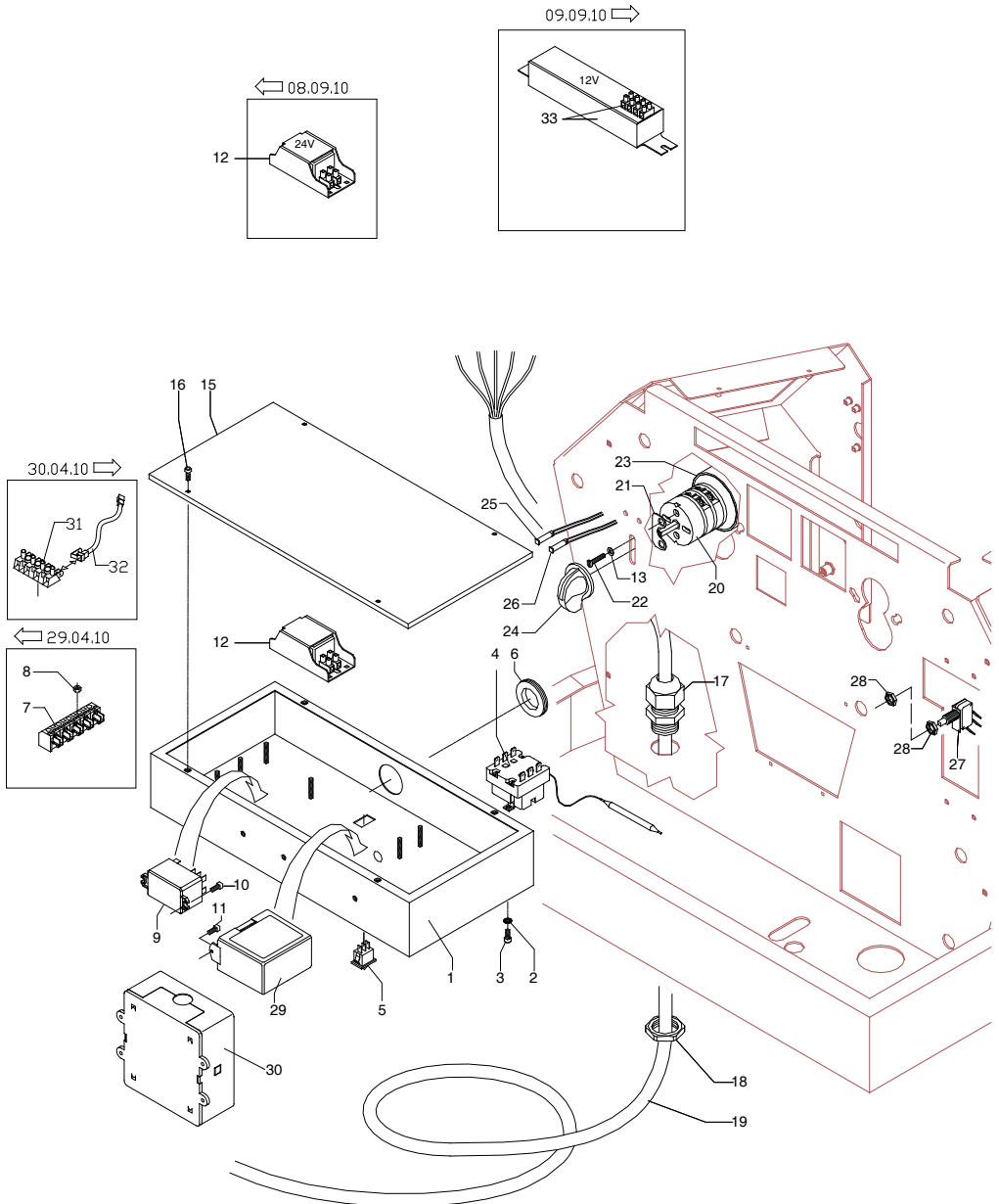
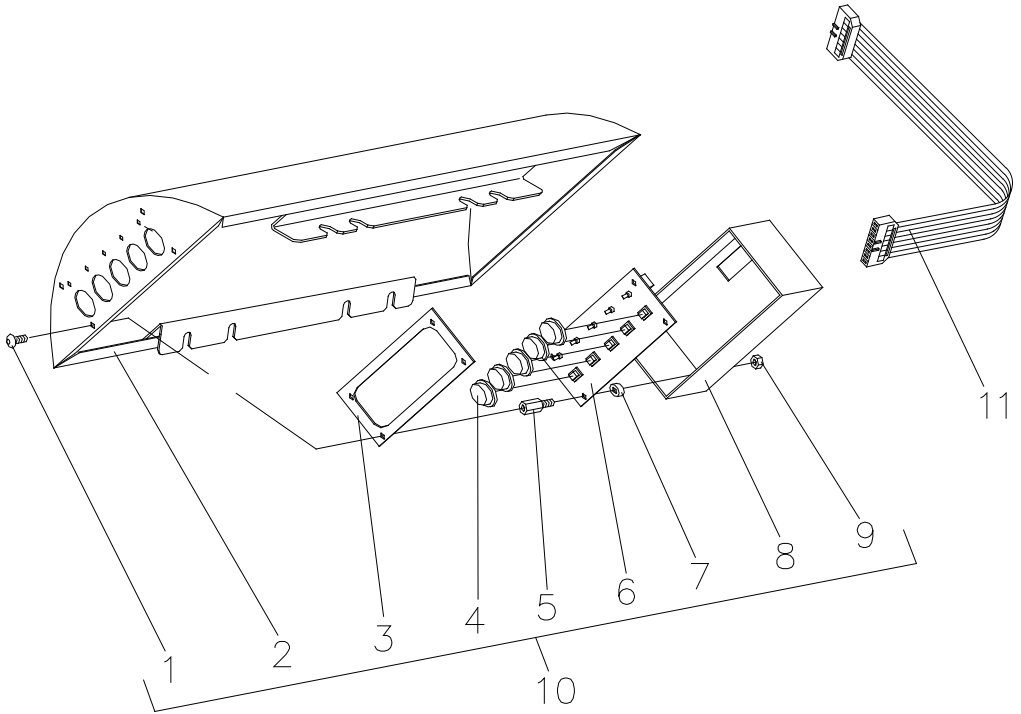
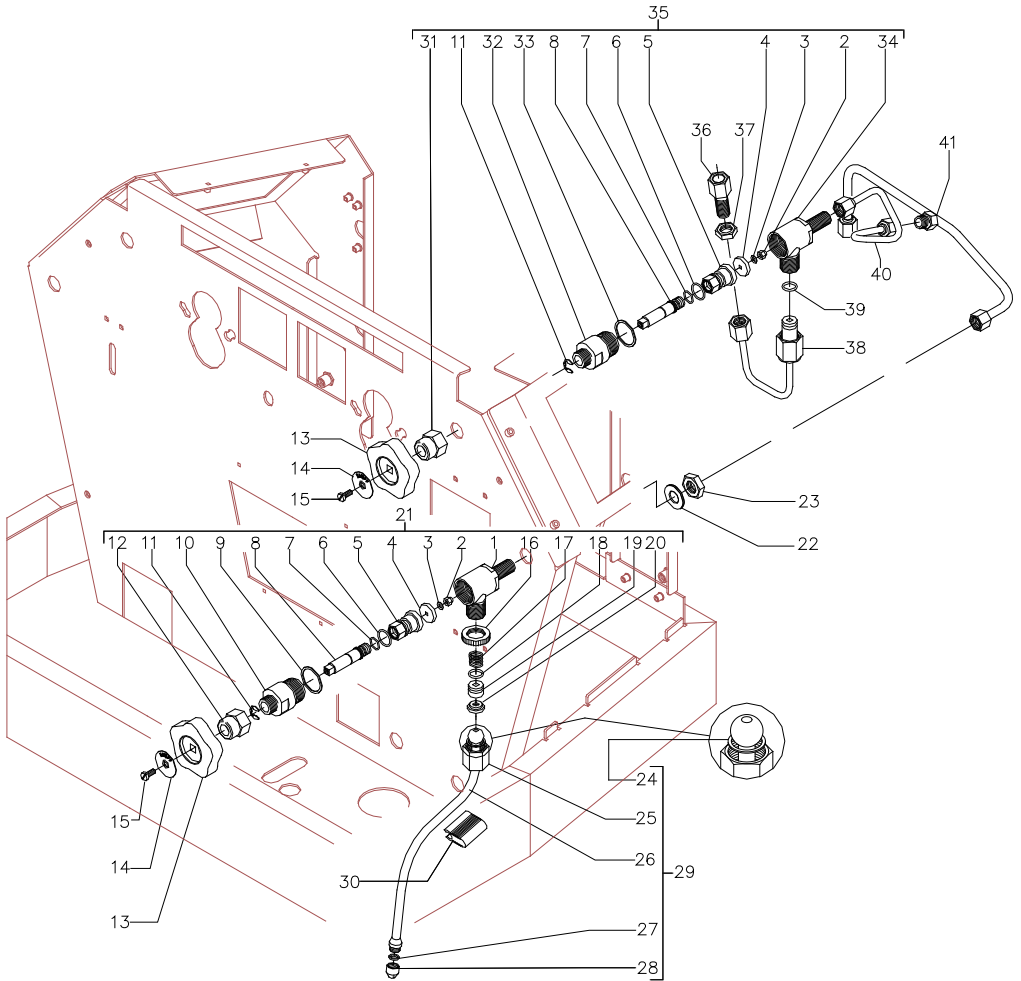
TABLE 3
Mod. MN - DE

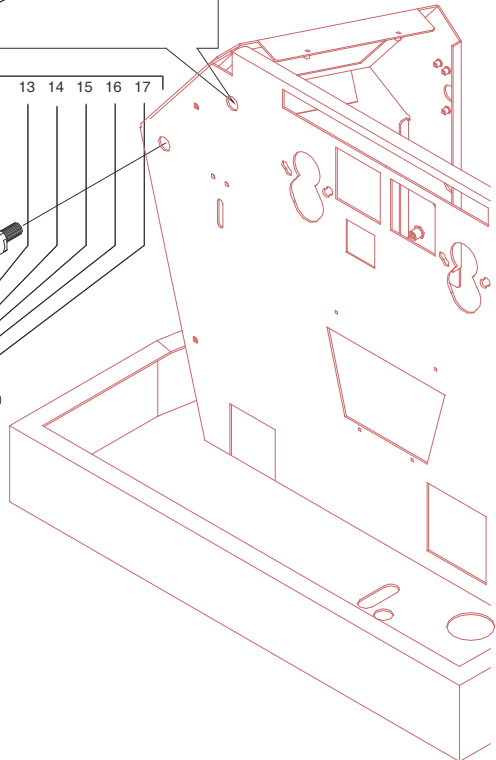
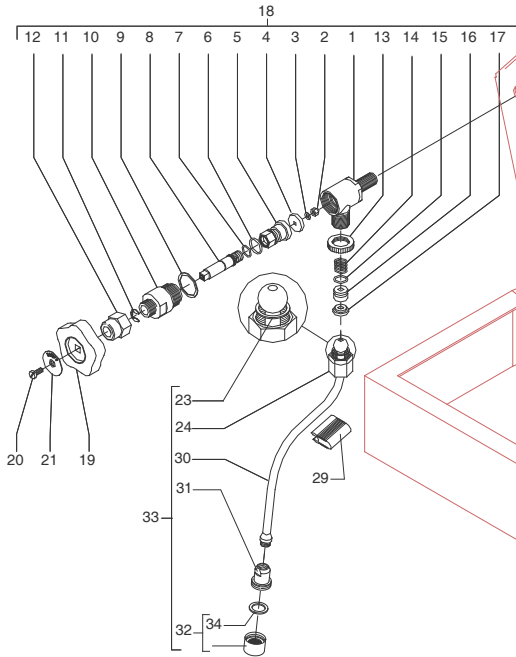
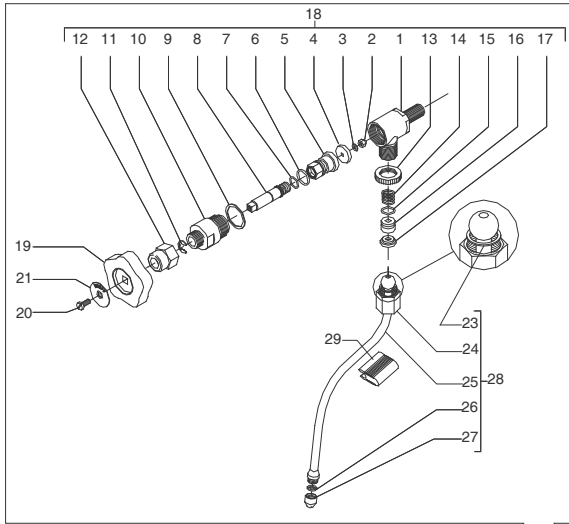
TABLE 3A
Mod. DE



	POS	CODE	DESCRIPTION
TABLE 4 Mod. MN - DE	1	5283033CM	TAP BODY
	2	7822201	CAP NUT M4 OT
	3	7825001	PLAIN WASHER D8 X 4 X 0.8 OT
	4	5493023	TAP GASKET EPT 70SH
	5	5970504.01	GASKET-HOLDER WITH DOWEL
	6	7496002	OR GASKET 115 VITON
	7	7496075	OR GASKET 10,82X1,78 VITON
	8	5220413CM	ROD
	9	5495001CM	GASKET D28 X 1 CHROMED BRASS
	10	5223402CM	NUT SCREW
	11	7810601	RING D7 UNI 7434 A2
	12	5221804CM	NUT 3/8" G ES.22 H22 OT CHROMED
	13	7371509	TAP KNOB
	14	5522055	STEAM PLATE - ITALIAN
	14	5522058	STEAM PLATE - ENGLISH
	14	5522050	STEAM PLATE - FRENCH
	14	5522054	STEAM PLATE - GERMAN
	15	7826410CM	SCREW TEB M5X10
	16	5222801CM	RING NUT D27 X M18 X 4 OT CHROMED
	17	5471504	SPRING D14 AISI 302
	18	7496076	GASKET OR 112 EPDM 70SH
	19	5224605	GASKET-HOLDER D14.7 X 10.5 OT
	20	5494002	GASKET D16X6X6 PTFE GRAPHITIZED
	21	5964063	WATER/STEAM TAP ASSY
	22	5221869	WASHER D14 X 20 X 1.5 COPPER
	23	5221801	NUT M13 H4 OT
	24	5494009	GASKET Ø16X13,2X2 PTFE
	25	5221871EC	NUT M18X1
	26	5163172CM	STEAM HOSE
	27	5494001	GASKET D8.5 X 5 X 3.2 PTFE
	28	5226602	STEAM HOSE TERMINAL CHROMED
	29	5966533	ASSEMBLY STEAM HOSE
	30	7371001	INSULATING
	32	5223402	NUT SCREW
	33	5495001	GASKET D28 X 1 COPPER
	34	5283002	TAP BODY OT
	35	5964064	STEAM CUP-HEATER TAP ASSY
	36	5225243	FITTING M12X1 H42
	37	5221825	NUT M12X1 H3,5
	38	5162214LL	CUP-HEATER TAP OUTLET PIPE
	39	7496076	GASKET OR 112 EPDM 70SH
40	5162215LL	CUP-HEATER TAP INLET PIPE	
41	5163179LL	RIGHT STEAM TAP HOSE	

TABLE 4
Mod. MN - DE

POS	CODE	DESCRIPTION
1	5283033CM	TAP BODY
2	7822201	CAP NUT M4 OT
3	7825001	PLAIN WASHER D8 X 4 X 0.8 OT
4	5493023	TAP GASKET EPT 70SH
5	5970504.01	GASKET-HOLDER WITH DOWEL
6	7496002	OR GASKET 115 VITON
7	7496075	OR GASKET 10,82X1,78 VITON
8	5220413CM	ROD
9	5495001CM	GASKET D28 X 1 CHROMED BRASS
10	5223402CM	NUT SCREW
11	7810601	RING D7 UNI 7434 A2
12	5221804CM	NUT 3/8" G ES.22 H22 OT CHROMED
13	5222801CM	RING NUT D27 X M18 X 4 OT CHROMED
14	5471504	SPRING D14 AISI 302
15	7496076	GASKET OR 112 EPDM 70SH
16	5224605	GASKET-HOLDER D14.7 X 10.5 OT
17	5494002	GASKET D16X6X6 PTFE GRAPHITIZED
18	5964063	WATER/STEAM TAP ASSY
19	7371509	TAP KNOB
20	7826410CM	SCREW TEB M5X10
21	5522055	STEAM PLATE - ITALIAN
21	5522058	STEAM PLATE - ENGLISH
21	5522050	STEAM PLATE - FRENCH
21	5522054	STEAM PLATE - GERMAN
22	5522056	WATER PLATE - ITALIAN
22	5522057	WATER PLATE - ENGLISH
22	5522051	WATER PLATE - FRENCH
22	5522053	WATER PLATE - GERMAN
23	5494009	GASKET Ø16X13,2X2 PTFE
24	5221871EC	NUT M18X1
25	5163172CM	STEAM HOSE
26	5494001	GASKET D8.5 X 5 X 3.2 PTFE
27	5226602	STEAM HOSE TERMINAL CHROMED
28	5966533	ASSEMBLY STEAM HOSE
29	7371001	INSULATING
30	5163173CM	WATER HOSE
31	5225226CM	FITTING M22 H25
32	5226601TW	WATER TERMINAL
33	5966534	ASSEMBLY WATER HOSE
34	5493003	GASKET Ø20.5 X 15 NBR

TABLE 5
Mod. MN - DE

	POS	CODE	DESCRIPTION
TABLE 6 Mod. MN	1	7479933	INJECTOR Ø0.7 UPPER SLEEVE ASSY
	2	7479934	GASKET OR 128 VITON
	3	7479935	GASKET TF Ø35X30X2
	4	7479936	DELIVERY VALVE SPRING
	5	7479937	DELIVERY VALVE ASSY
	6	7479938	GASKET TF Ø10X6X1
	7	7479939	SCREW TCE M6X8
	8	7479940	DELIVERY GROUP BODY
	9	7479941	SPRAYER Ø30
	10	5471022	SHOWER FILTER
	11	5493039	UNDERCUP GASKET
	12	7479942	SPRING GUIDE BUSHING
	13	7479943	ASSEMBLY RELIEF VALVE
	14	7479944	DRAIN SPRING
	15	7479945	JET-BREAKER BUSHING Ø15X6
	16	5302060CM	FITTING MM 1/2"GX1/2"G
	17	5226412CM	BLIND PLUG M24X1
	18	5072100LW	GRID HINGE
	19	7819901	SCREW TTEI M4X12
	20	5222213CM	SPACER Ø10 H6,5
	21	5074609LW	DRIP TRAY GRID
	22	7822201CM	CAP NUT M4
	23	5221204CM	OUTSIDE CYLINDER
	24	5221203CM	INSIDE CYLINDER
	25	7816007LL	SCREW TCEI M4X8
	26	5471515	SPRING Ø9,5X40
	27	5226413CM	PERFORATED PLUG M24X1
	28	5221202CM	DRAIN HOSE
	29	5221873CM	NUT 1/2"G
	30	7479946	ASSEMBLY VALVE
	31	7371511.01	KNOB FOR LEVER
	32	7479931	DELIVERY LEVER
	33	7479947	WASHER Ø8
	34	7479948	CAP Ø15XM6
	35	7479949	CAM FLANGE ASSY
	36	7812607	NUT M8 UNI 5587 ASTM A194
	37	7479950	CAM SHAFT
	38	7479951	CAM STOP PIN
	39	5267013	TIE ROD M8 X 31 ASTM A193
	40	5225295	JET-BREAKER FITTING
	41	7493011	INSULATING
	42	7479952	UPPER ASSY PLUG
	43	7479953	GASKET TF 22X17X2
	44	7479954	INOX FILTER Ø8,5X22
	45	7479955	INJECTOR M6X0,75 FORO Ø0,7
	46	7479956	UPPER SLEEVE ASSY

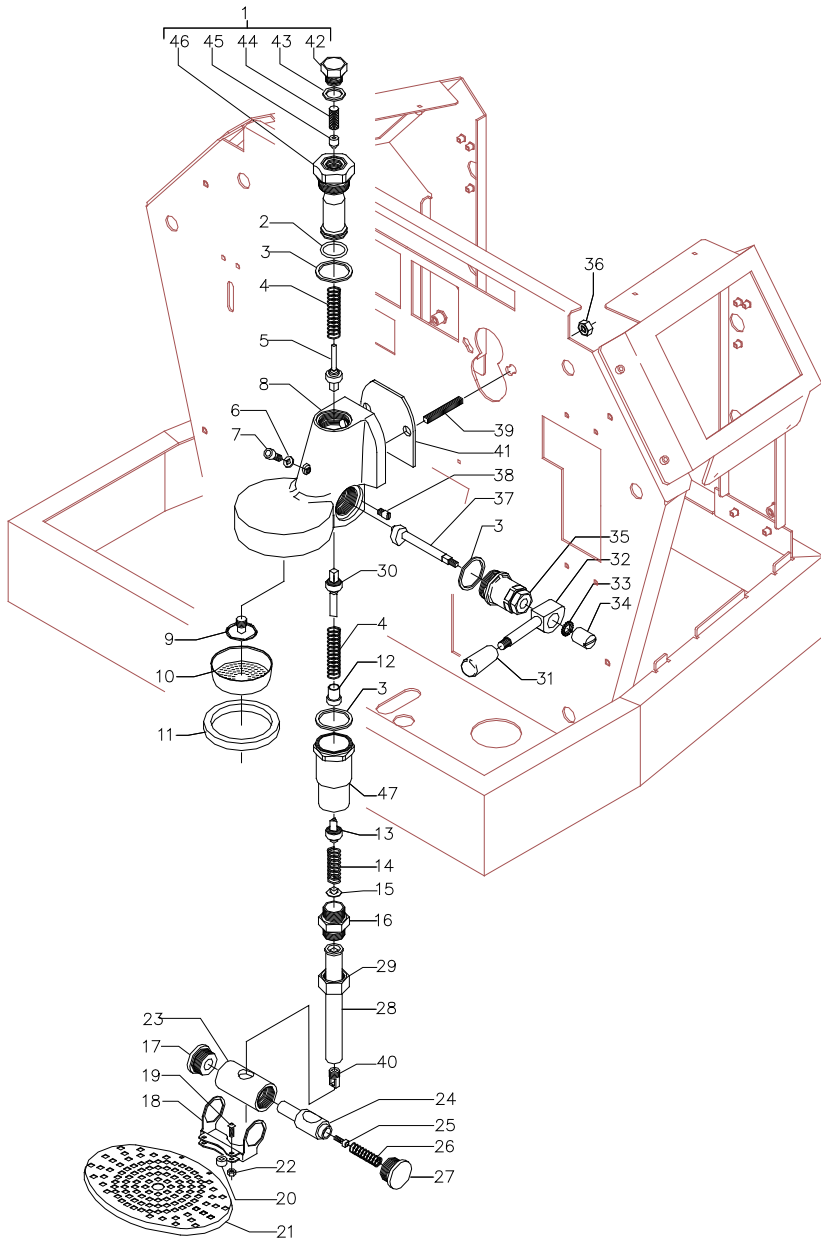
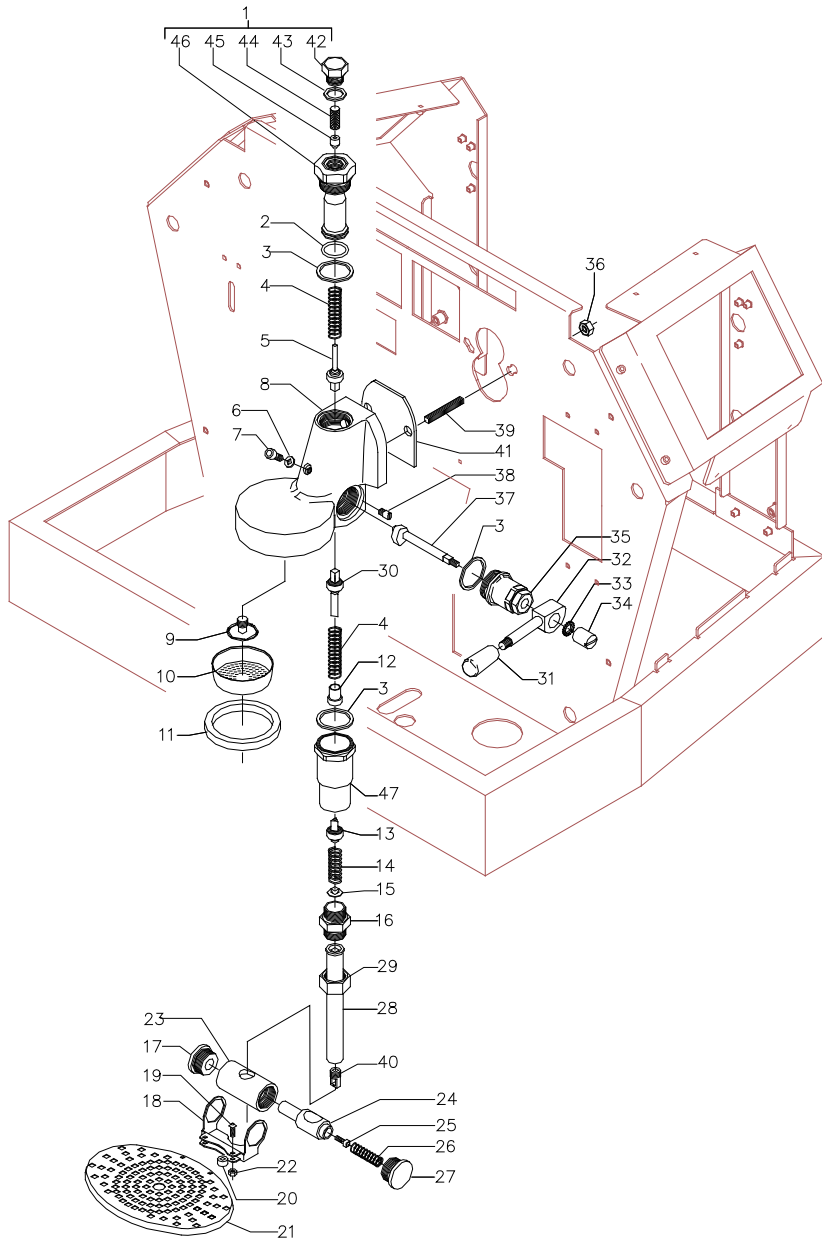
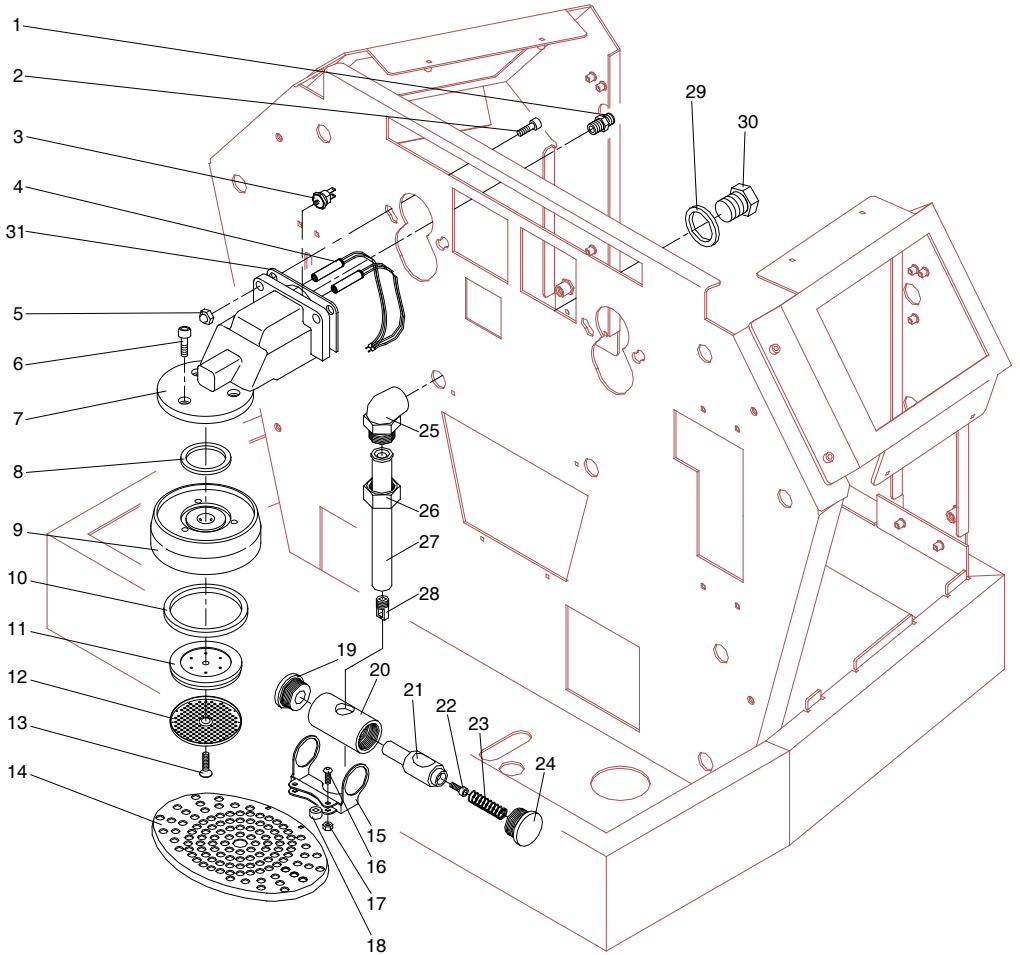
TABLE 6
Mod. MN

TABLE 6
Mod. MN

	POS	CODE	DESCRIPTION
TABLE 6A Mod. DE	1	7304502TR	STRAIGHT FITTING 1/8"G OT
	2	7816014	SCREW M8X20 UNI5931 A2
	3	7634808	THERMIC SAFETY DEVICE 250V 95°C AUTOMATIC
	4	5963097	ASSEMBLY HEATING ELEMENT 110V 50W
	4	5963098	ASSEMBLY HEATING ELEMENT 230V 50W
	5	5221863CM	CAP NUT M8 ES.14 H17 OT CHROMED
	6	7816001	SCREW TCEI M5X12 UNI 5931 A2
	7	5283046TW	DELIVERY GROUP BODY
	8	7496004	OR GASKET 139
	9	5280502TW	COUPLING RING CHROMED
	10	7493008	GASKET H 9,3 NBR 90SH
	11	5285501TP	SHOWER-HOLDER D57OT
	12	5470501	SHOWER D57 AISI 304
	13	7817001	SCREW TPS M5X16 DIN 963 A2
	14	5074609LW	DRIP TRAY GRID
	15	5072100LW	GRID HINGE
	16	7819901	SCREW TTEI M4X12
	17	7822201CM	CAP NUT M4
	18	5222213CM	SPACER Ø10 H6,5
	19	5226412CM	BLIND PLUG M24X1
	20	5221204CM	OUTSIDE CYLINDER
	21	5221203CM	INSIDE CYLINDER
	22	7816007LL	SCREW TCEI M4X8
	23	5471515	SPRING Ø9,5X40
	24	5226413CM	PERFORATED PLUG M24X1
	25	5301503EC	UNION ELBOW 3/4"G
	26	5221855EC	NUT 3/4"G
	27	5221202CM	DRAIN HOSE
	28	5225295	JET-BREAKER FITTING
	29	5057010	WASHER D21X35X1
	30	5226406	PLUG 1/2"G H18 OT
31	7493013	INSULATING	

TABLE 6A
Mod. DE



POS	CODE	DESCRIPTION	
TABLE 7 Mod. MN - DE	1	7741102	ELECTRIC MOTOR 110V 18MF
	1	7742206	ELECTRIC MOTOR 220/240V 10MF
	2	7730506	PUMP 100 L/H PA104X 1-2GR
	3	7730508	PUMP JOINT KIT (NEW)
	4	7611508	PUMP CLAMP
	5	7470601	VIBRATION-DAMPING D25X10
	6	7805004	PLAIN WASHER D6 UNI 6592 FEZN
	7	7821403	NUT M6 UNI 5587 OT
	8	7821403	NUT M6 UNI 5587 OT
	9	5302012	STRAIGHT FITTING 3/8" G X 3/8" NPT OT
	10	7200505	FLEXIBLE HOSE L=350
	11	5302013	STRAIGHT FITTING 3/8" G ES.22 H25 OT
	12	5302011	STRAIGHT FITTING 3/8" G
	13	7432514	PRESSURE GAUGE Ø60 20BAR
	14	7400904	PRESSURE GAUGE CAPILLARY
	15	7473603	KNOB M6
	16	5222813CM	RING NUT M18 OT CHROMED
	17	5265601	ARTICULATION D14 X 24.5 X M6 AISI 303
	18	5221833	NUT M18 ES.26 H5 OT
	19	5260202	SHAFT D12 X 65 AISI 303
	20	5471512	SPRING D9.5 H34.5 AISI 302
	21	5220603	BUSHING D12 X 7 OT
	22	5494004	GASKET D12 X 6 PTFE GRAPHITIZED
	23	5283019	PUMP BODY OT
	24	5493041	GASKET D14 X 4 X 4 EPT70
	25	5224607	GASKET-HOLDER D15 X 16.5 OT
	26	5964058	ASSEMBLY PUMP
	27	5495006	COPPER GASKET 20 X 26 X 3
	28	5302502	FITTING 4 WAY 3/8" G OT (PM-TE-TP)
	29	5163175LL	INLET AUTOMATIC LEVEL HOSE
	30	5163174LL	MANUAL FILLNG PIPE
	31	5286005	FILTER-HOLDER BODY
	32	5471002	FILTER D13.5 H11 AISI 304
	33	5288002	STRAIGHT FITTING 3/8" G X 1/8" G ES.22 H25 OT
	34	5965034	ASSEMBLY FILTER HOLE D1 COMPLETE
	35	5283028	CHECK VALVE BODY
	36	5493011	GASKET D12 X 5 NBR 70SH
	37	5224604	GASKET-HOLDER D14.5 X 12 OT
	38	5471518	CHECK VALVE SPRING AISI 302
	39	5302037	STRAIGHT FITTING 3/8" G OT
	40	5965013	ASSEMBLY COMPLETE CHECK VALVE
	41	7703011	SOLENOID VALVE WITHOUT COIL PARKER
	42	7630324	SOLENOID VALVE COIL 110V PARKER
42	7630325	SOLENOID VALVE COIL 220/240V PARKER	
43	7701114	SOLENOID VALVE 2 WAY 110V PARKER (from 02/07)	
43	7702312	SOLENOID VALVE 2 WAY 220/240V PARKER (from 09/06)	

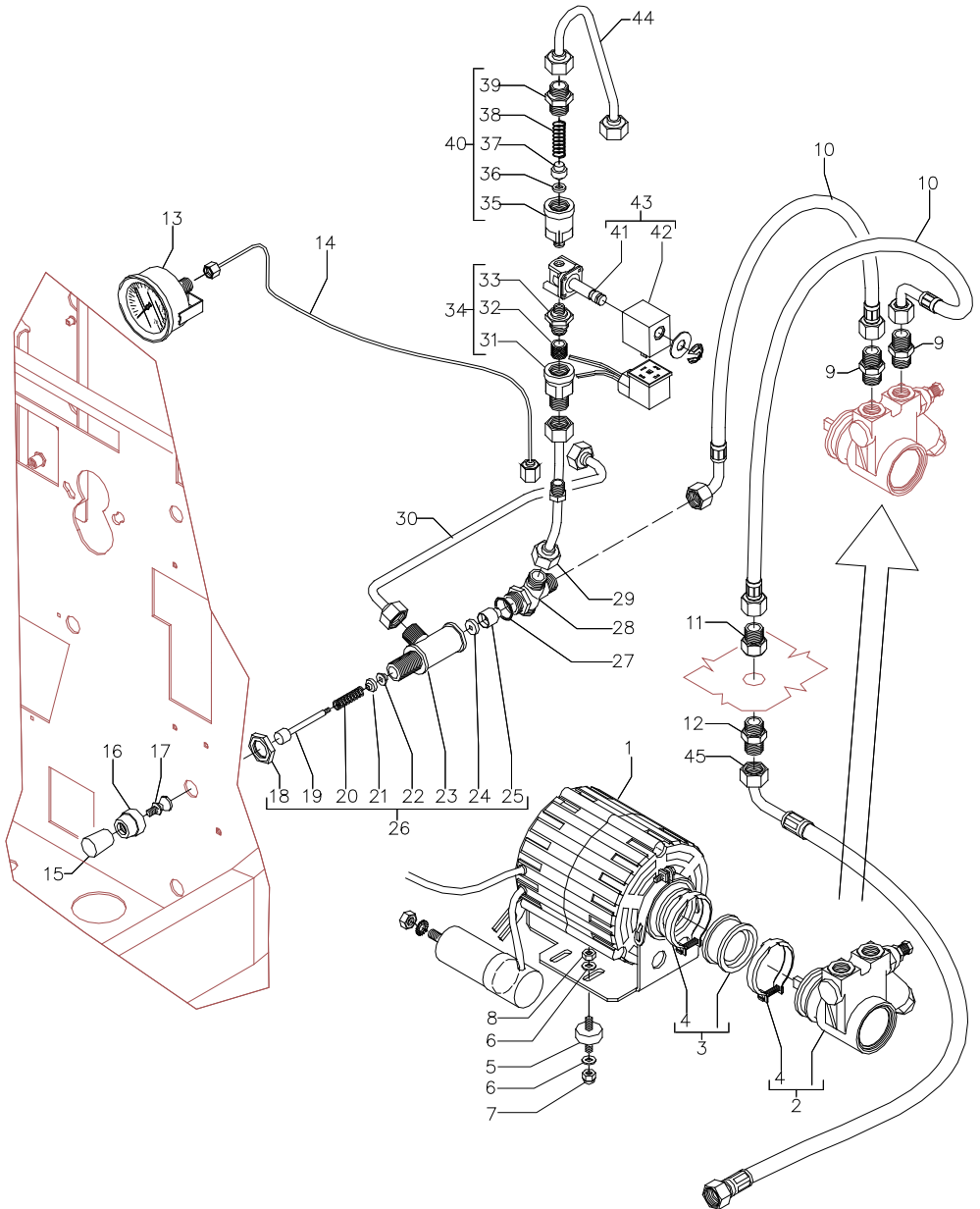
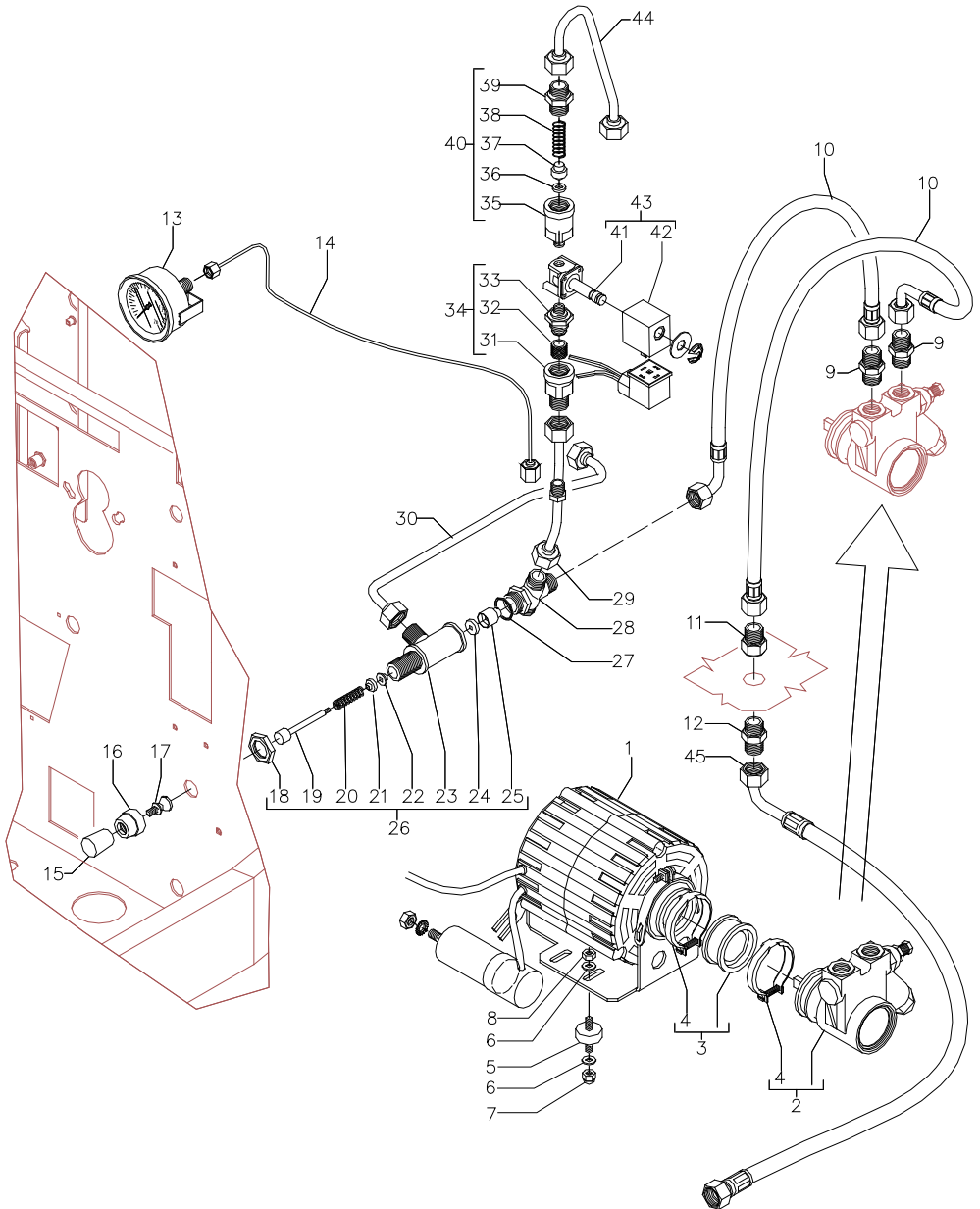
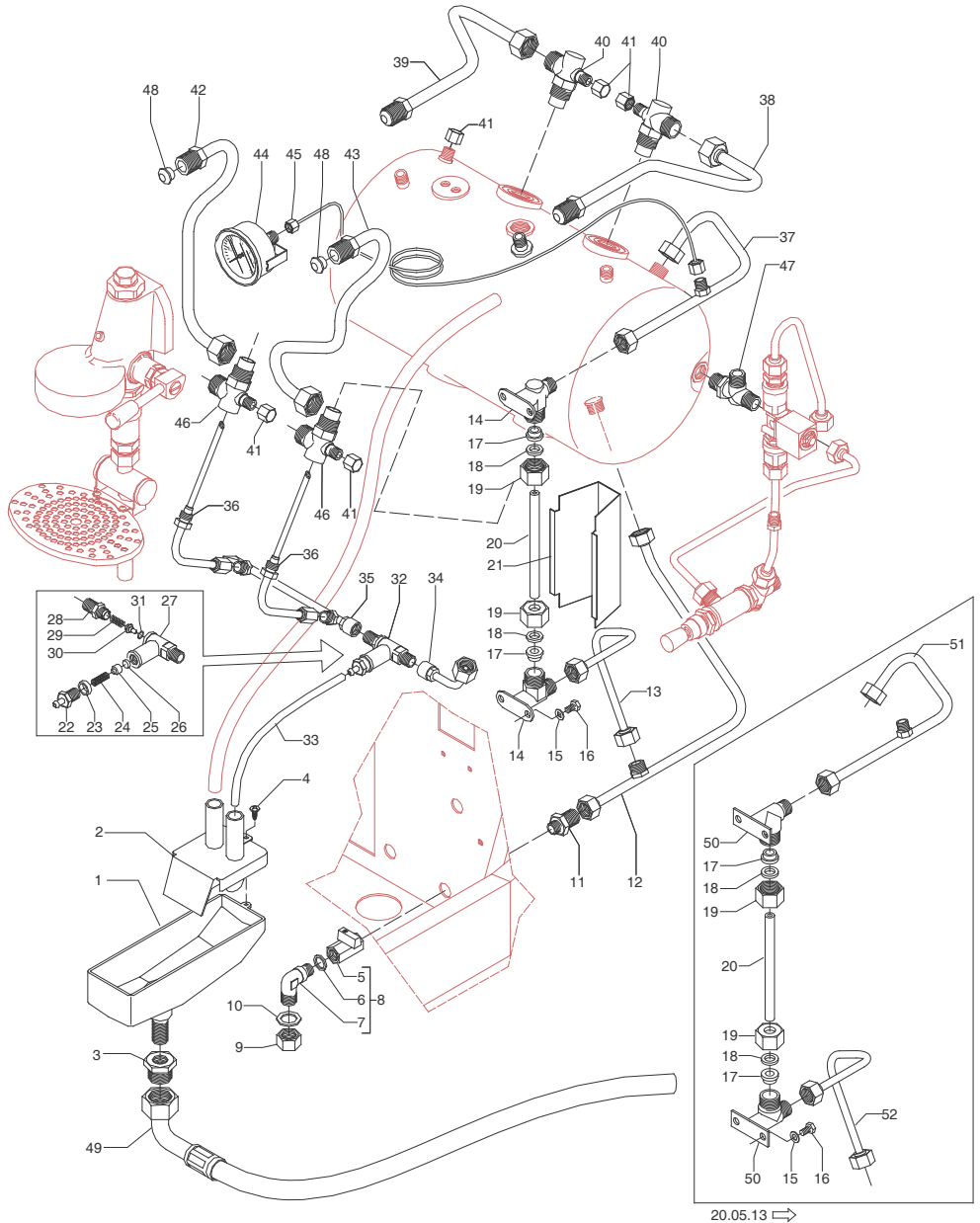
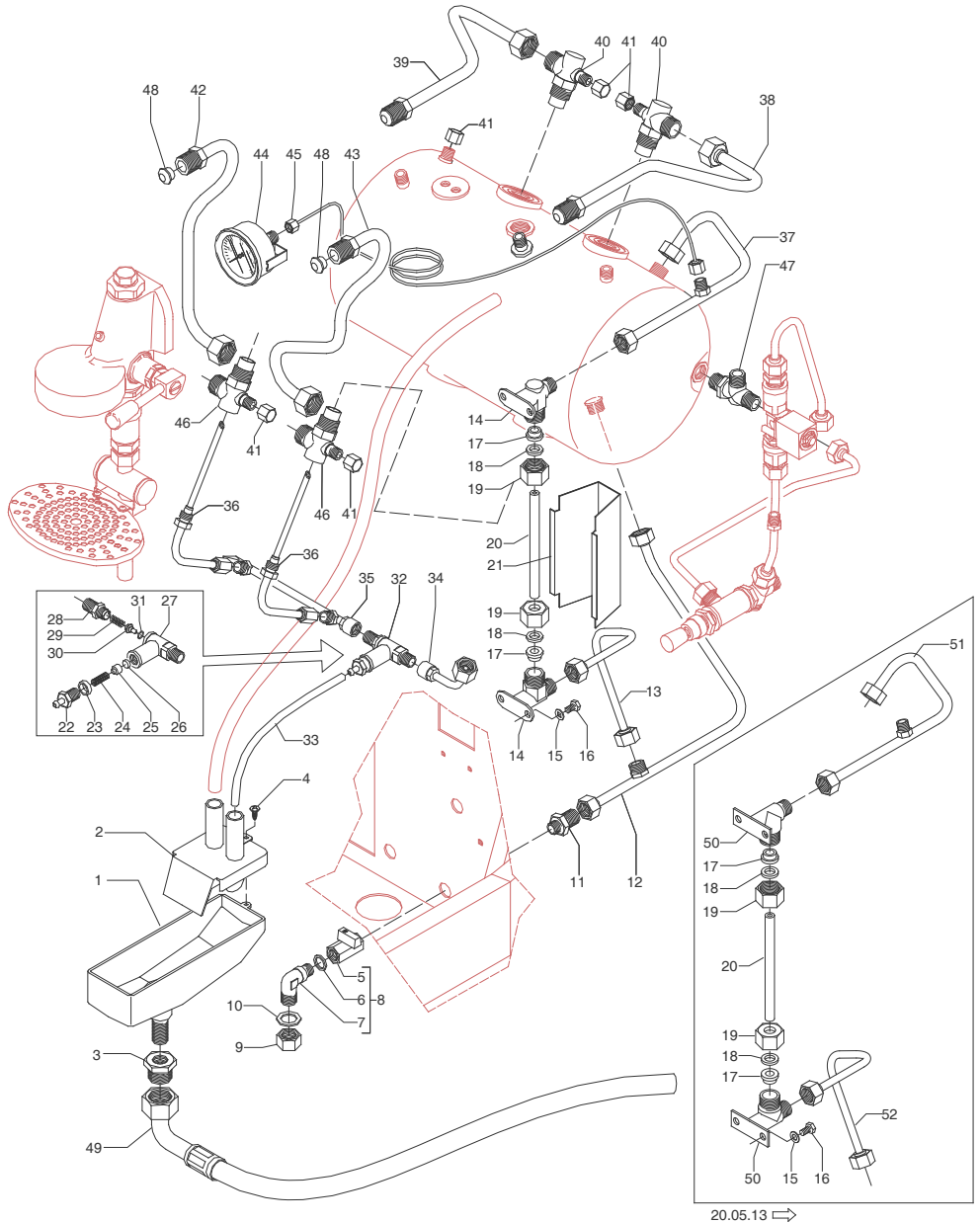
TABLE 7
Mod. MN - DE

TABLE 7
Mod. MN - DE

	POS	CODE	DESCRIPTION
TABLE 8 (up to 31.05.09) Mod. MN	1	5374501.01	DRIP TRAY
	2	5373104.01LL	DRAIN CUP COVER
	3	5225294	FITTING M/F 3/4X3/8
	4	7809800	TAPPING SCREW TB D3.9 X 9.5 UNI6954 A2
	5	7451501	BALL COCK FF 1/4"G
	6	5495005	GASKET Ø18X13,5X2
	7	5301501	UNION ELBOW 1/4"G X 3/8"G OT
	8	5965041	DRAINING TAP ASSY
	9	5221819	CAP NUT 3/8"G
	10	5492011	GASKET D15X3 ASBESTOS FREE
	11	5225201	STRAIGHT FITTING 1/4" X 3/8"G OT
	12	5164066LL	BOILER DRAIN HOSE
	13	5164065LL	GLASS-LEVEL HOSE
	14	5302507	GLASS LEVEL UPPER FITTING OT
	15	7805004	PLAIN WASHER D6 UNI 6592 FEZN
	16	7806405ZN	SCREW TE M6X8 UNI 5739 8.8
	17	5493026	GLASS-LEVEL GASKET RUBBER
	18	5224802	GASKET-PRESS D18 X 11 X 3
	19	5221828	NUT 1/2"G HOLE D12.7 OT
	20	5430504	GLASS-LEVEL HOSE D10 X 2.2 L=135MM SILCKSCREENED
	21	5053004LW	GLASS-LEVEL COVER
	22	5302026DC	RUBBER-HOLDER FITTING M12X1
	23	5222201	SPACER D16X12.2 H6.7 OT
	24	5471506.01	CALIBRATED SPRING D1.1 H32 AISI 302
	25	5224609	GASKET-HOLDER D5.3
	26	5493001	GASKET D8 X 4 EPT 70SH
	27	5283040	SURPRESSION VALVE BODY
	28	5302018	STRAIGHT FITTING M12 X M13 H26.5 OT
	29	5471505	CALIBRATED SPRING D0.45 H22 AISI 302
	30	5224615TP	GASKET-HOLDER
	31	7496018	OR GASKET 105 VITON
	32	5965043	ASSEMBLY SURPRESSION VALVE (up to 20.12.05)
	32	5965043.01	ASSEMBLY SURPRESSION VALVE (from 21.12.05)
	33	5194554	HOSE 8X5 L=250 SILICONE
	34	5163183LL	OVERPRESSURE VALVE INLET PIPE (up to 20.12.05)
	34	5163183.01LL	OVERPRESSURE VALVE INLET PIPE (from 21.12.05)
	35	5163180LL	MANIFOLD HOSE (up to 20.12.05)
	35	5163180.01LL	MANIFOLD HOSE (from 21.12.05)
	36	5966535	INJECTOR PIPE
	37	5164064LL	GLASS-LEVEL HOSE
	38	5165030LL	UPPER EXCHANGER HOSE 2ND GROUP
	39	5165029LL	UPPER EXCHANGER HOSE 1ST GROUP (2-3-4GR)
	40	5300503.01	FITTING 1/2"G X 1/2"G
41	5221813	PLUG M12X1 OT	
42	5165031LL	BOTTOM EXCHANGER HOSE 1ST GROUP	
43	5165032LL	BOTTOM EXCHANGER HOSE 2ND GROUP	

TABLE 8 (up to 31.05.09)
Mod. MN

	POS	CODE	DESCRIPTION	
TABLE 8 (up to 31.05.09) Mod. MN	44	7432515	PRESSURE GAUGE Ø 60 3BAR	
	45	7400901	PRESSURE GAUGE CAPILLARY	
	46	5300512.01	FITTING 1/2" X 1/2"	
	47	5300505	FITTING 3/8"G OT	
	48	5229913	CHOKE Ø3	
	49	7303503	HOSE D12.7X18.8 3/4FC L=200CM	
	50	5963119	GLASS LEVEL FITTING OT	
	51	5163317LL	GLASS-LEVEL HOSE	
	52	5163318LL	GLASS-LEVEL HOSE	

TABLE 8 (up to 31.05.09)
Mod. MN

	POS	CODE	DESCRIPTION
TABLE 8 (from 01.06.09) Mod. MN	1	5374501.01	DRIP TRAY
	2	5373104.01LL	DRAIN CUP COVER
	3	5225294	FITTING M/F 3/4X3/8
	4	7809800	TAPPING SCREW TB D3.9 X 9.5 UNI6954 A2
	5	7451501	BALL COCK FF 1/4"G
	6	5495005	GASKET Ø18X13,5X2
	7	5301501	UNION ELBOW 1/4"G X 3/8"G OT
	8	5965041	DRAINING TAP ASSY
	9	5221819	CAP NUT 3/8"G
	10	5492011	GASKET D15X3 ASBESTOS FREE
	11	5225201	STRAIGHT FITTING 1/4" X 3/8"G OT
	12	5164066LL	BOILER DRAIN HOSE
	13	5164065LL	GLASS-LEVEL HOSE
	14	5302507	GLASS LEVEL UPPER FITTING OT
	15	7805004	PLAIN WASHER D6 UNI 6592 FEZN
	16	7806409ZN	SCREW TE M6X10
	17	5493026	GLASS-LEVEL GASKET RUBBER
	18	5224802	GASKET-PRESS D18 X 11 X 3
	19	5221828	NUT 1/2"G HOLE D12.7 OT
	20	5430504	GLASS-LEVEL HOSE D10 X 2.2 L=135MM SILCKSCREENED
	21	5053004LW	GLASS-LEVEL COVER
	22	5302071	RUBBER-HOLDER FITTING M12x1 OT
	23	7496052	OR GASKET 114 VITON
	24	5471506.01	CALIBRATED SPRING D1.1 H32 AISI 302
	25	5224619	GASKET-HOLDER
	26	5493001	GASKET D8 X 4 EPT 70SH
	27	5283048	SURPRESSION VALVE BODY
	28	5302018	STRAIGHT FITTING M12 X M13 H26.5 OT
	29	5471505	CALIBRATED SPRING D0.45 H22 AISI 302
	30	5224615TP	GASKET-HOLDER
	31	7496018	OR GASKET 105 VITON
	32	5965164	ASSEMBLY SURPRESSION VALVE 12BAR
	33	5194554	HOSE 8X5 L=250 SILICONE
	34	5163183.01LL	OVERPRESSURE VALVE INLET PIPE
	35	5163180.01LL	MANIFOLD HOSE
	36	5966535	INJECTOR PIPE
	37	5164064LL	GLASS-LEVEL HOSE
	38	5165030LL	UPPER EXCHANGER HOSE 2ND GROUP
	39	5165029LL	UPPER EXCHANGER HOSE 1ST GROUP (2-3-4GR)
	40	5300503.01	FITTING 1/2"G X 1/2"G
	41	5221813	PLUG M12X1 OT
	42	5165031LL	BOTTOM EXCHANGER HOSE 1ST GROUP
	43	5165032LL	BOTTOM EXCHANGER HOSE 2ND GROUP
	44	7432515	PRESSURE GAUGE Ø 60 3BAR
	45	7400901	PRESSURE GAUGE CAPILLARY
	46	5300512.01	FITTING 1/2" X 1/2"

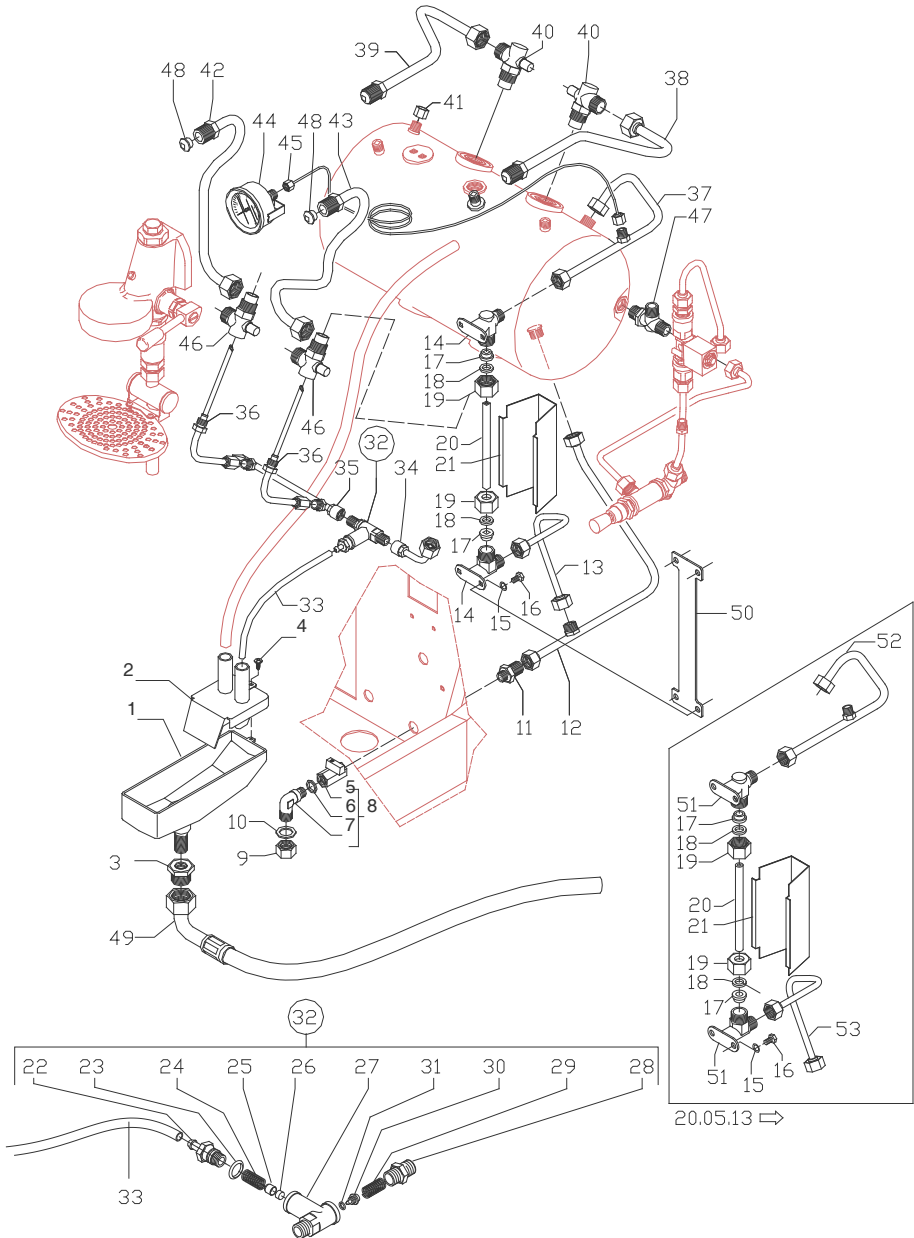
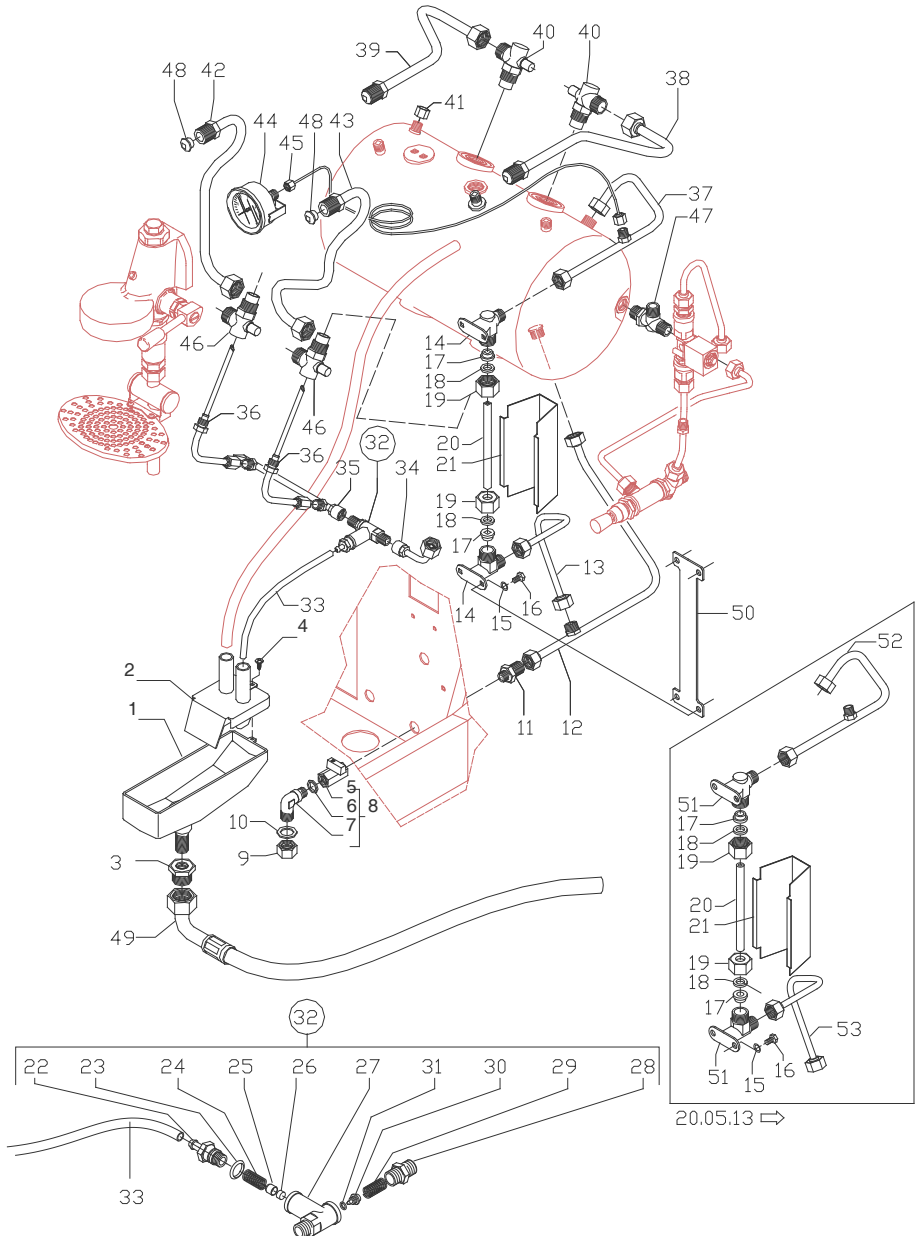
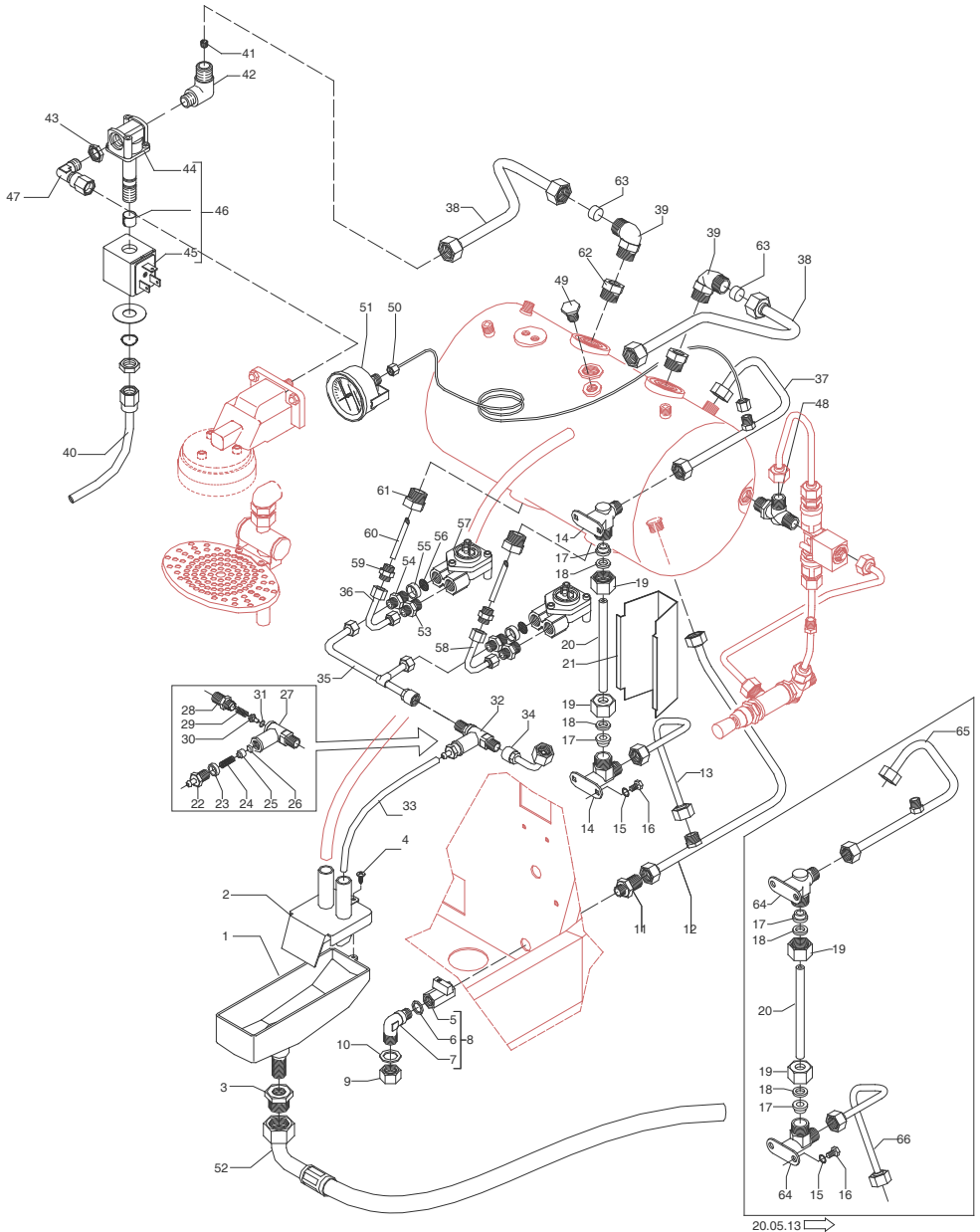
TABLE 8 (from 01.06.09)
Mod. MN

TABLE 8 (from 01.06.09)
Mod. MN

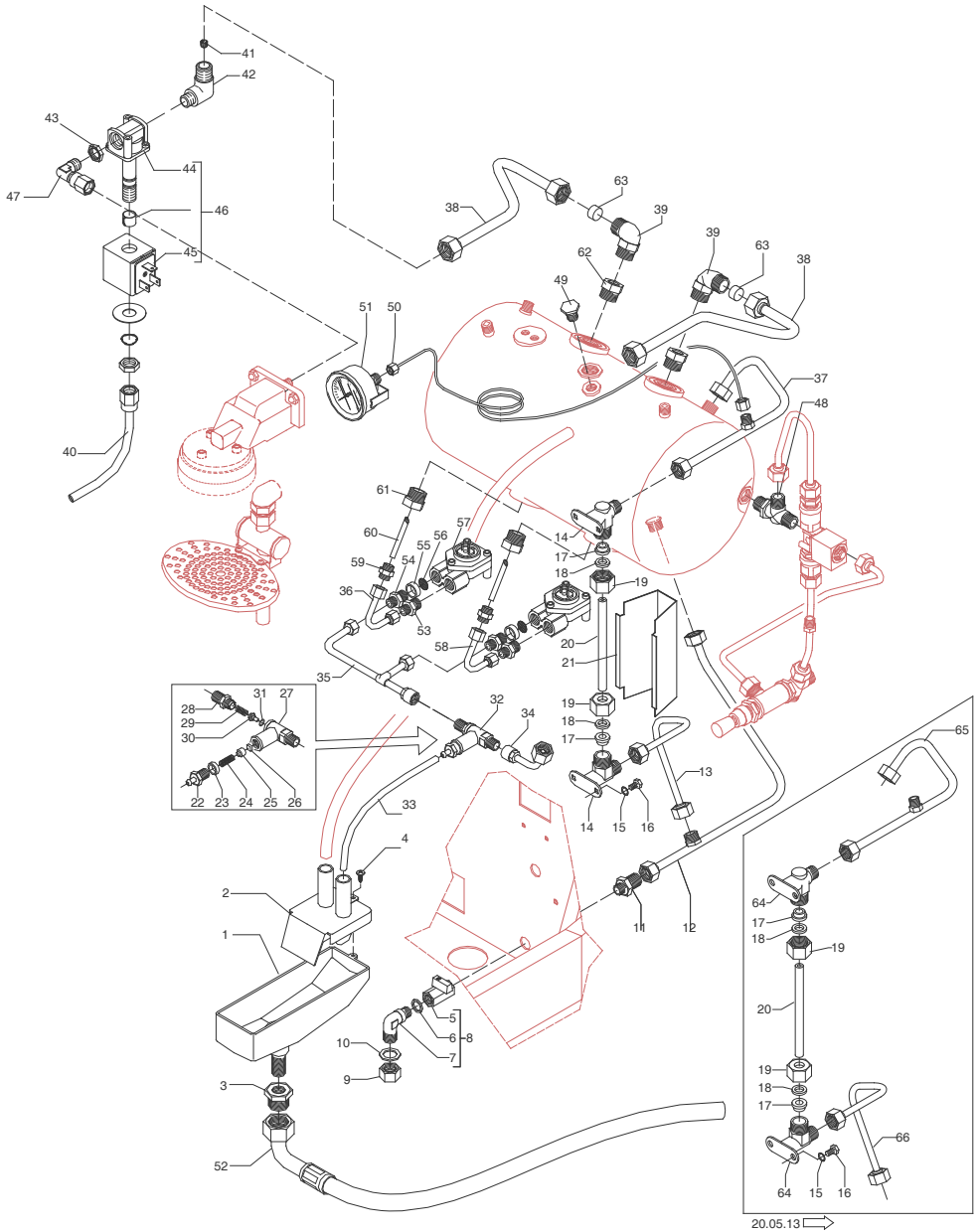
	POS	CODE	DESCRIPTION
TABLE 8A (up to 31.05.09) Mod. DE	1	5374501.01	DRIP TRAY
	2	5373104.01LL	DRAIN CUP COVER
	3	5225294	FITTING M/F 3/4X3/8
	4	7809800	TAPPING SCREW TB D3.9 X 9.5 UNI6954 A2
	5	7451501	BALL COCK FF 1/4"G
	6	5495005	GASKET Ø18X13,5X2
	7	5301501	UNION ELBOW 1/4"G X 3/8"G OT
	8	5965041	DRAINING TAP ASSY
	9	5221819	CAP NUT 3/8"G
	10	5492011	GASKET D15X3 ASBESTOS FREE
	11	5225201	STRAIGHT FITTING 1/4" X 3/8"G OT
	12	5164066LL	BOILER DRAIN HOSE
	13	5164065LL	GLASS-LEVEL HOSE
	14	5302507	GLASS LEVEL UPPER FITTING OT
	15	7805004	PLAIN WASHER D6 UNI 6592 FEZN
	16	7806405ZN	SCREW TE M6X8 UNI 5739 8.8
	17	5493026	GLASS-LEVEL GASKET RUBBER
	18	5224802	GASKET-PRESS D18 X 11 X 3
	19	5221828	NUT 1/2"G HOLE D12.7 OT
	20	5430504	GLASS-LEVEL HOSE D10 X 2.2 L=135MM SILCKSCREENED
	21	5053004LW	GLASS-LEVEL COVER
	22	5302026DC	RUBBER-HOLDER FITTING M12X1
	23	5222201	SPACER D16X12.2 H6.7 OT
	24	5471506.01	CALIBRATED SPRING D1.1 H32 AISI 302
	25	5224609	GASKET-HOLDER D5.3
	26	5493001	GASKET D8 X 4 EPT 70SH
	27	5283040	SURPRESSION VALVE BODY
	28	5302018	STRAIGHT FITTING M12 X M13 H26.5 OT
	29	5471505	CALIBRATED SPRING D0.45 H22 AISI 302
	30	5224615TP	GASKET-HOLDER
	31	7496018	OR GASKET 105 VITON
	32	5965043	ASSEMBLY SURPRESSION VALVE (up to 20.12.05)
	32	5965043.01	ASSEMBLY SURPRESSION VALVE (from 21.12.05)
	33	5194554	HOSE 8X5 L=250 SILICONE
	34	5163183.01LL	OVERPRESSURE VALVE INLET PIPE
	35	5163260LL	MANIFOLD HOSE
	36	5162358LL	EXCHANGER LOAD HOSE
	37	5164064LL	GLASS-LEVEL HOSE
	38	5162308LL	EXCHANGER-GROUP SOLENOID VALVE HOSE
	39	5301506TR	UNION ELBOW M13X1/4"GC
	40	5194587LL	SOLENOID VALVE DRAIN HOSE SX
	40	5194559LL	SOLENOID VALVE DRAIN HOSE DX
	41	5223003	JET M6 X 6 HOLE D0.8 OT
	42	5301504TR	UNION ELBOW 1/8"G X M12
43	5221844	NUT 1/8"G H3	
44	7703014	SOLENOID VALVE WITHOUT COIL PARKER	

TABLE 8A (up to 31.05.09)
Mod. DE

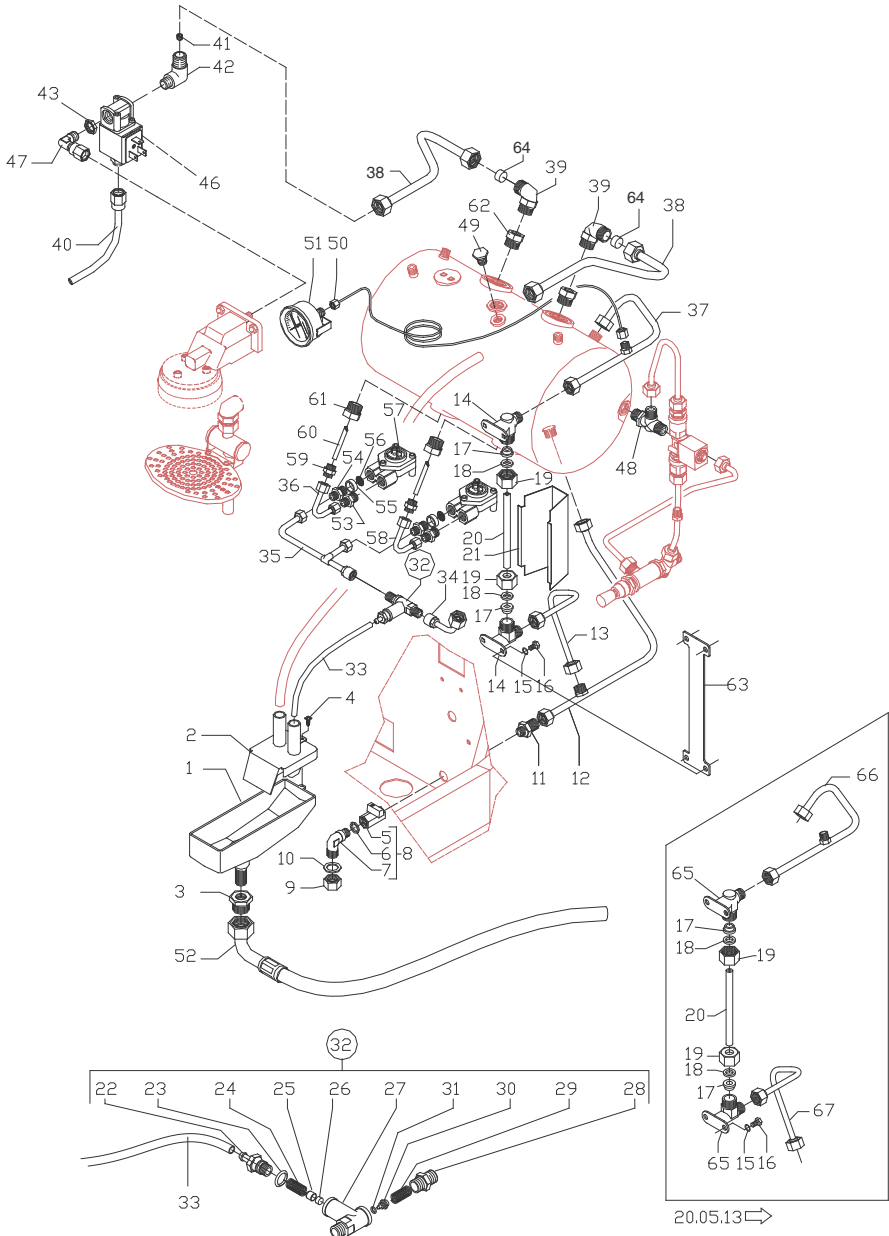


	POS	CODE	DESCRIPTION
TABLE 8A (up to 31.05.09) Mod. DE	45	7630332	SOLENOID VALVE COIL 115V PARKER
	45	7630331	SOLENOID VALVE COIL 230V PARKER
	45	7630330	SOLENOID VALVE COIL 240V PARKER
	46	7701112	SOLENOID VALVE 3 WAY 115V PARKER
	46	7702311	SOLENOID VALVE 3 WAY 230V PARKER
	46	7702410	SOLENOID VALVE 3 WAY 240V PARKER
	47	5973053	ASSEMBLY BANJO UNION
	48	5300505	FITTING 3/8" G OT
	49	5226403	PLUG 3/8" G
	50	7400901	PRESSURE GAUGE CAPILLARY
	51	7432515	PRESSURE GAUGE Ø 60 3BAR
	52	7303503	HOSE D12.7X18.8 3/4FC L=200CM
	53	7304510TR	FITTING 1/4" G OT
	54	5302001	STRAIGHT FITTING 1/4" G X M13 OT
	55	5191501	SPACER D11X8X6.5 PTFE
	56	5471001	NET FILTER D11 AISI 304
	57	7431001	FLOW METER + AUT. WITH LED
	58	5162359LL	EXCHANGER LOAD HOSE
	59	7304502TR	STRAIGHT FITTING 1/8" G OT
	60	5192311	SUCTION HOSE D6 L= 120MM PTFE
	61	5226415	FITTING 1/2" G
	62	5225237	FITTING 1/2" G ES26 H16 OT
	63	5471019	FILTER D8,5
64	5963119	GLASS LEVEL FITTING OT	
65	5163317LL	GLASS-LEVEL HOSE	
66	5163318LL	GLASS-LEVEL HOSE	

TABLE 8A (up to 31.05.09)
Mod. DE

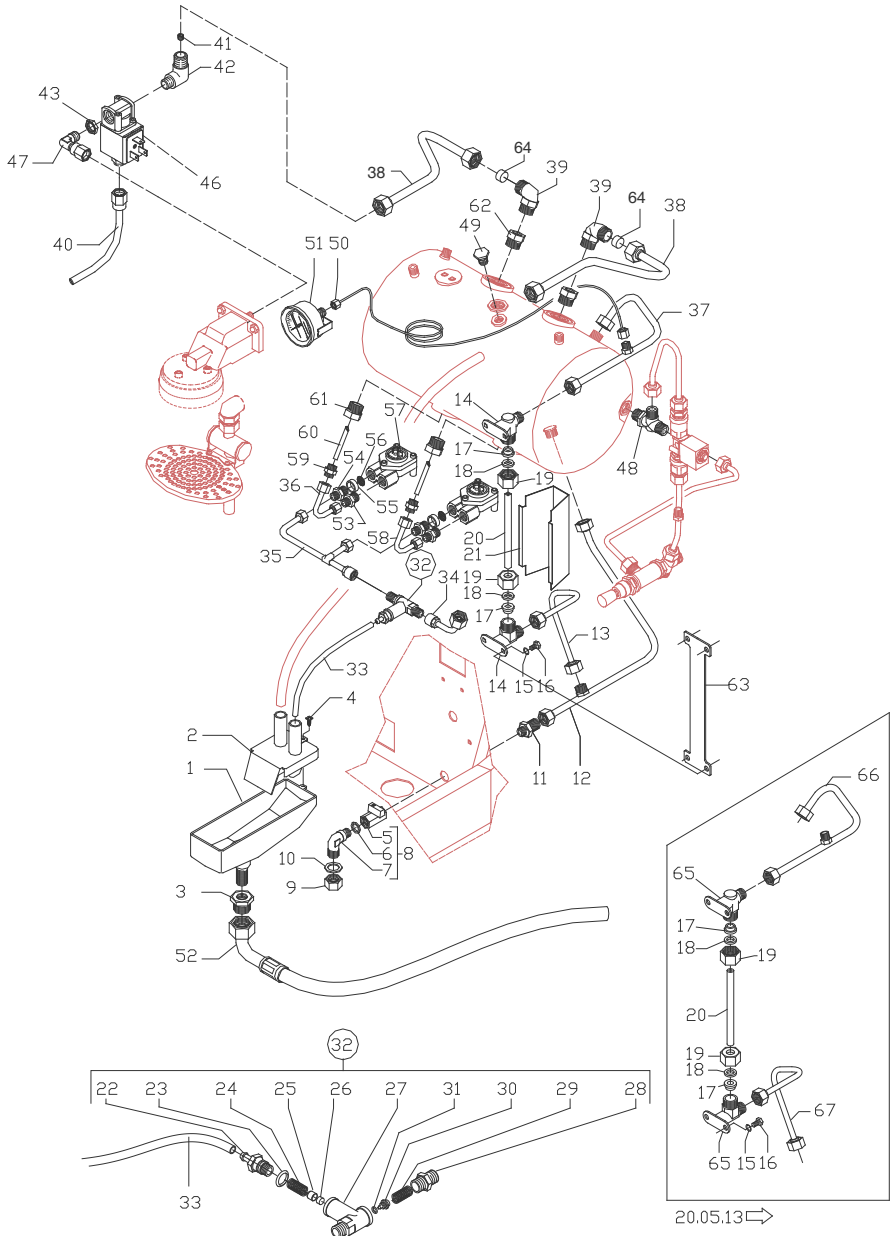


POS	CODE	DESCRIPTION
1	5374501.01	DRIP TRAY
2	5373104.01LL	DRAIN CUP COVER
3	5225294	FITTING M/F 3/4X3/8
4	7809800	TAPPING SCREW TB D3.9 X 9.5 UNI6954 A2
5	7451501	BALL COCK FF 1/4"G
6	5495005	GASKET Ø18X13,5X2
7	5301501	UNION ELBOW 1/4"G X 3/8"G OT
8	5965041	DRAINING TAP ASSY
9	5221819	CAP NUT 3/8"G
10	5492011	GASKET D15X3 ASBESTOS FREE
11	5225201	STRAIGHT FITTING 1/4" X 3/8"G OT
12	5164066LL	BOILER DRAIN HOSE
13	5164065LL	GLASS-LEVEL HOSE
14	5302507	GLASS LEVEL UPPER FITTING OT
15	7805004	PLAIN WASHER D6 UNI 6592 FEZN
16	7806409ZN	SCREW TE M6X10
17	5493026	GLASS-LEVEL GASKET RUBBER
18	5224802	GASKET-PRESS D18 X 11 X 3
19	5221828	NUT 1/2"G HOLE D12.7 OT
20	5430504	GLASS-LEVEL HOSE D10 X 2.2 L=135MM SILCKSCREENED
21	5053004LW	GLASS-LEVEL COVER
22	5302071	RUBBER-HOLDER FITTING M12x1 OT
23	7496052	OR GASKET 114 VITON
24	5471506.01	CALIBRATED SPRING D1.1 H32 AISI 302
25	5224619	GASKET-HOLDER
26	5493001	GASKET D8 X 4 EPT 70SH
27	5283048	SURPRESSION VALVE BODY
28	5302018	STRAIGHT FITTING M12 X M13 H26.5 OT
29	5471505	CALIBRATED SPRING D0.45 H22 AISI 302
30	5224615TP	GASKET-HOLDER
31	7496018	OR GASKET 105 VITON
32	5965164	ASSEMBLY SURPRESSION VALVE 12BAR
33	5194554	HOSE 8X5 L=250 SILICONE
34	5163183.01LL	OVERPRESSURE VALVE INLET PIPE
35	5163260LL	MANIFOLD HOSE
36	5162358LL	EXCHANGER LOAD HOSE
37	5164064LL	GLASS-LEVEL HOSE
38	5162308LL	EXCHANGER-GROUP SOLENOID VALVE HOSE
39	5301506TR	UNION ELBOW M13X1/4"G C
40	5194587LL	SOLENOID VALVE DRAIN HOSE SX
40	5194559LL	SOLENOID VALVE DRAIN HOSE DX
41	5223003	JET M6 X 6 HOLE D0.8 OT
42	5301504TR	UNION ELBOW 1/8"G X M12
43	5221844	NUT 1/8"G H3
46	7701117	SOLENOID VALVE 3 WAY 115V ODE (up to 30.01.13)
46	7702316	SOLENOID VALVE 3 WAY 230V ODE (up to 30.01.13)

TABLE 8A (from 01.06.09)
Mod. DE



	POS	CODE	DESCRIPTION
TABLE 8A (from 01.06.09) Mod. DE	46	7702411	SOLENOID VALVE 3 WAY 240V ODE (up to 30.01.13)
	46	7701112	SOLENOID VALVE 3 WAY 115V PARKER (from 31.01.13)
	46	7702311	SOLENOID VALVE 3 WAY 230V PARKER (from 31.01.13)
	46	7702410	SOLENOID VALVE 3 WAY 240V PARKER (from 31.01.13)
	47	5973053	ASSEMBLY BANJO UNION
	48	5300505	FITTING 3/8"G OT
	49	5226403	PLUG 3/8"G
	50	7400901	PRESSURE GAUGE CAPILLARY
	51	7432515	PRESSURE GAUGE Ø 60 3BAR
	52	7303503	HOSE D12.7X18.8 3/4FC L=200CM
	53	7304510TR	FITTING 1/4"G OT
	54	5302001	STRAIGHT FITTING 1/4"G X M13 OT
	55	5191501	SPACER D11X8X6.5 PTFE
	56	5471001	NET FILTER D11 AISI 304
	57	7431001	FLOW METER + AUT. WITH LED
	58	5162359LL	EXCHANGER LOAD HOSE
	59	7304502TR	STRAIGHT FITTING 1/8"G OT
	60	5192311	SUCTION HOSE D6 L= 120MM PTFE
	61	5226415	FITTING 1/2"G
	62	5225237	FITTING 1/2"G ES26 H16 OT
	63	5373107	GLASS-LEVEL PROTECTION
	64	5471019	FILTER D8,5
	65	5963119	GLASS LEVEL FITTING OT
	66	5163317LL	GLASS-LEVEL HOSE
	67	5163318LL	GLASS-LEVEL HOSE
	68	7630332	SOLENOID VALVE COIL 115V PARKER (from 31.01.13)
	68	7630331	SOLENOID VALVE COIL 230V PARKER (from 31.01.13)
	68	7630330	SOLENOID VALVE COIL 240V PARKER (from 31.01.13)
	69	7703014	SOLENOID VALVE WITHOUT COIL PARKER (from 31.01.13)

TABLE 8A (from 01.06.09)
Mod. DE

	POS	CODE	DESCRIPTION
TABLE 9 Mod. MN - DE	1	5321015.01BL	BOILER 2GR
	3	5492005	GASKET D203 X 151 X 2 ASBESTOS FREE
	4	5283502R	BOILER FLANDE D205 OT
	5	7816424	SCREW TE M10X18 DIN 933 A2
	6	5302010	STRAIGHT FITTING M12 X M10 OT
	7	5162212LL	PRESSOSTAT HOSE
	8	5017814LW	SQUARE FRO PRESSOSTAT
	9	7433001	PRESSOSTAT SIRAI P302/6 110V
	9	7433024	PRESSOSTAT SIRAI P303T01 220/400V
	10	5221821	NUT 1/4"G H5 OT
	11	5163177LL	WATER TAP HOSE MN VERSION
	12	5163178LL	LEFT STEAM TAP HOSE MN VERSION
	12	5162307LL	LEFT STEAM TAP HOSE DE VERSION
	13	5265807	LEVEL PROBE 2-3-4GR. D3X90X6.3 AISI 304
	14	5265811	LEVEL PROBE D3X160X4.8
	15	5225205	STRAIGHT FITTING M10 OT
	16	5192001	PROBE SHEATH D8 X 45 HOLE D3 PTFE
	17	5963047	COMPLETE CUP
	18	5965015.01	ASSEMBLY SAFETY VALVE 1.5 BAR
	19	5302005	STRAIGHT FITTING 3/8"G X M13 ES.22 H30 OT MN VERSION
	20	5192305	SUCTION HOSE D8X1 150MM PTFE MN VERSION
	21	7816423	SCREW TE M8X18 DIN933 A2
	22	5492006	GASKET D76 X 39 X 2 ASBESTOS FREE
	23	5721131	HEATING ELEMENT 2GR 2600W 110/120V (from 19.05.06)
	23	5722242	HEATING ELEMENT 2GR 2750/3300W 220/240V
	23	5722246	HEATING ELEMENT 2GR 3200/3800W 220/240V
	24	5226404	PLUG M10 H12 OT
	26	7826212	SCREW TCI M4X6 UNI 6107 OT
	27	7615003	FASTON 45° HOLE D4.3
	28	5302064	FITTING M/F M13x1 DE VERSION
29	5163259LL	WATER TAP HOSE DE VERSION	
30	5192310	SUCTION HOSE D8X1 150MM PTFE DE VERSION	

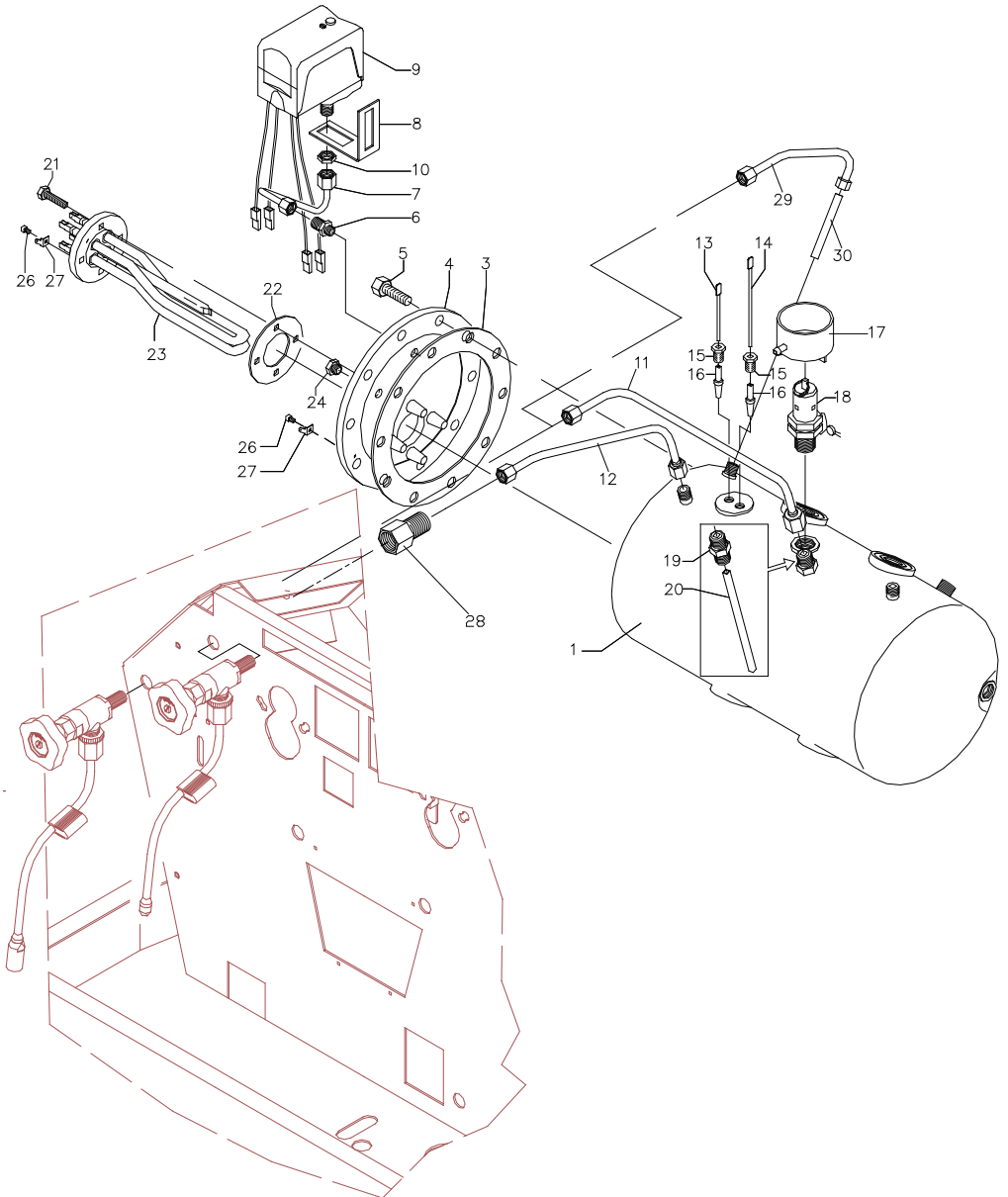
TABLE 9
Mod. MN - DE

TABLE 10 (up to 28.02.10)
Mod. MN

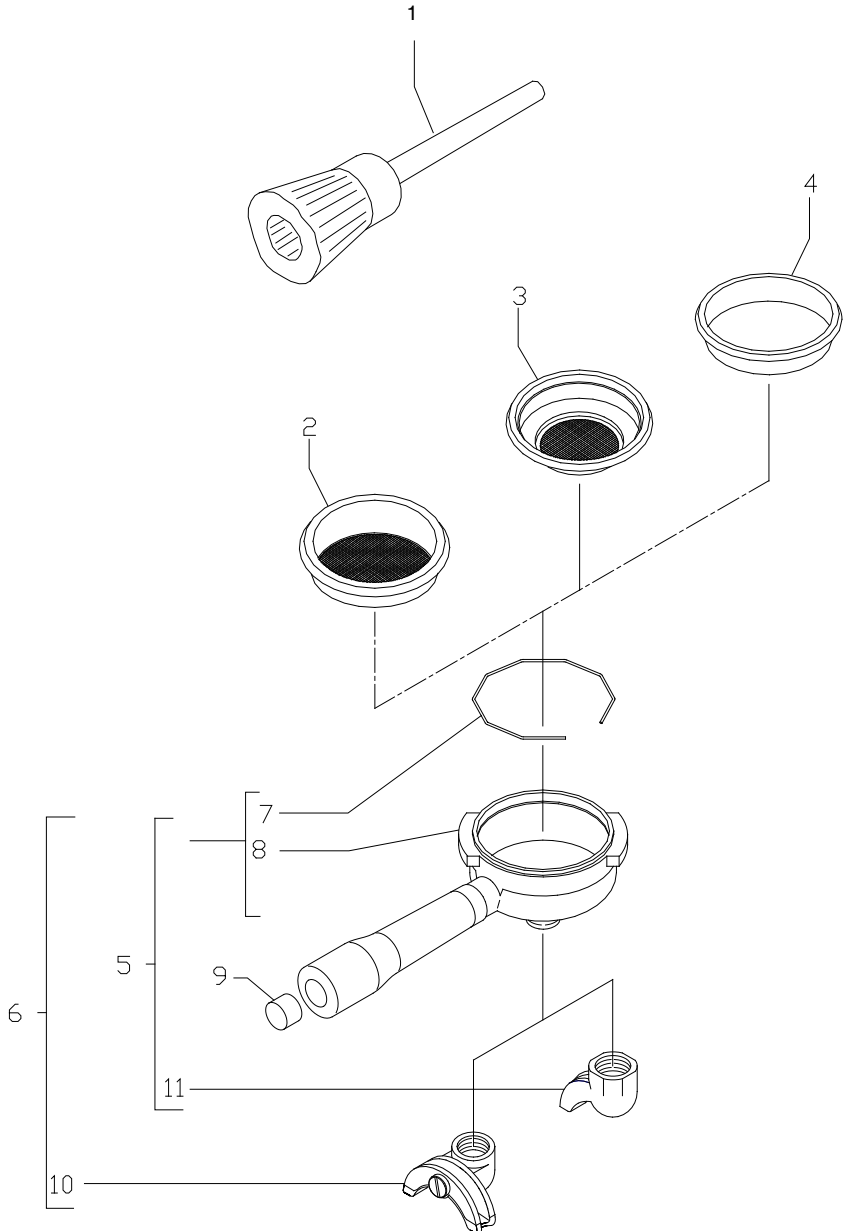


TABLE 10 (up to 23.02.12)
Mod. MN

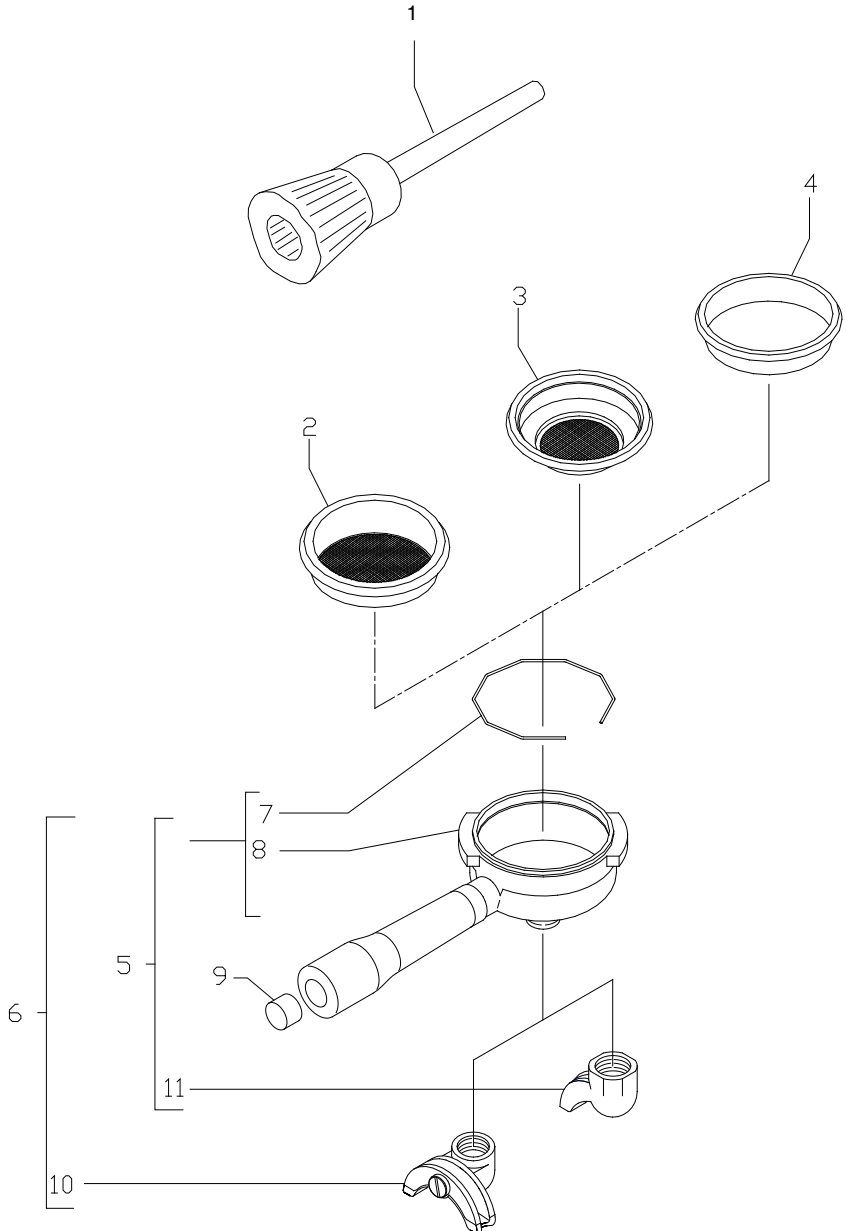


TABLE 10 (from 24.02.12)
Mod. MN

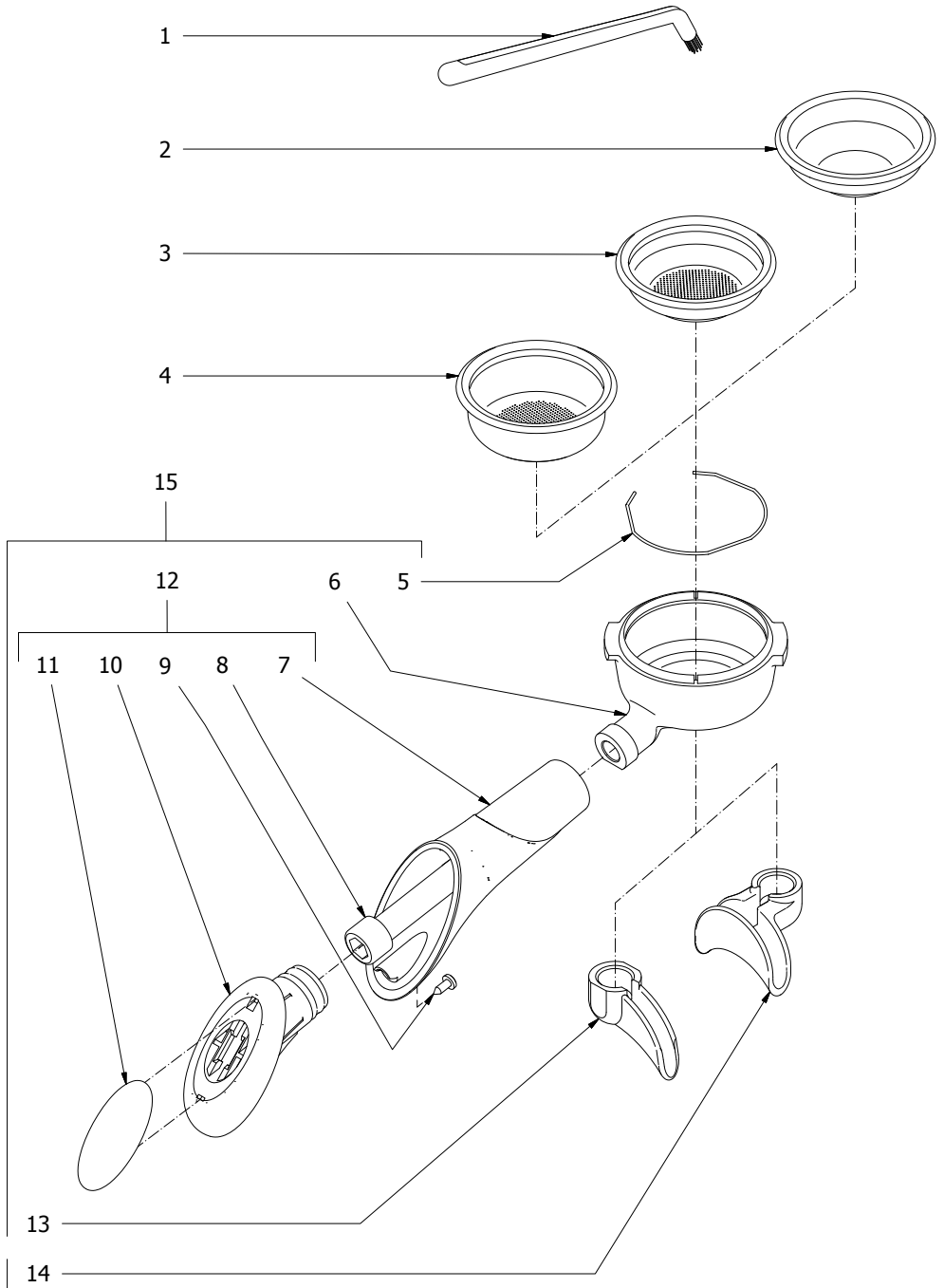


TABLE 10A (up to 28.02.10)
Mod. DE

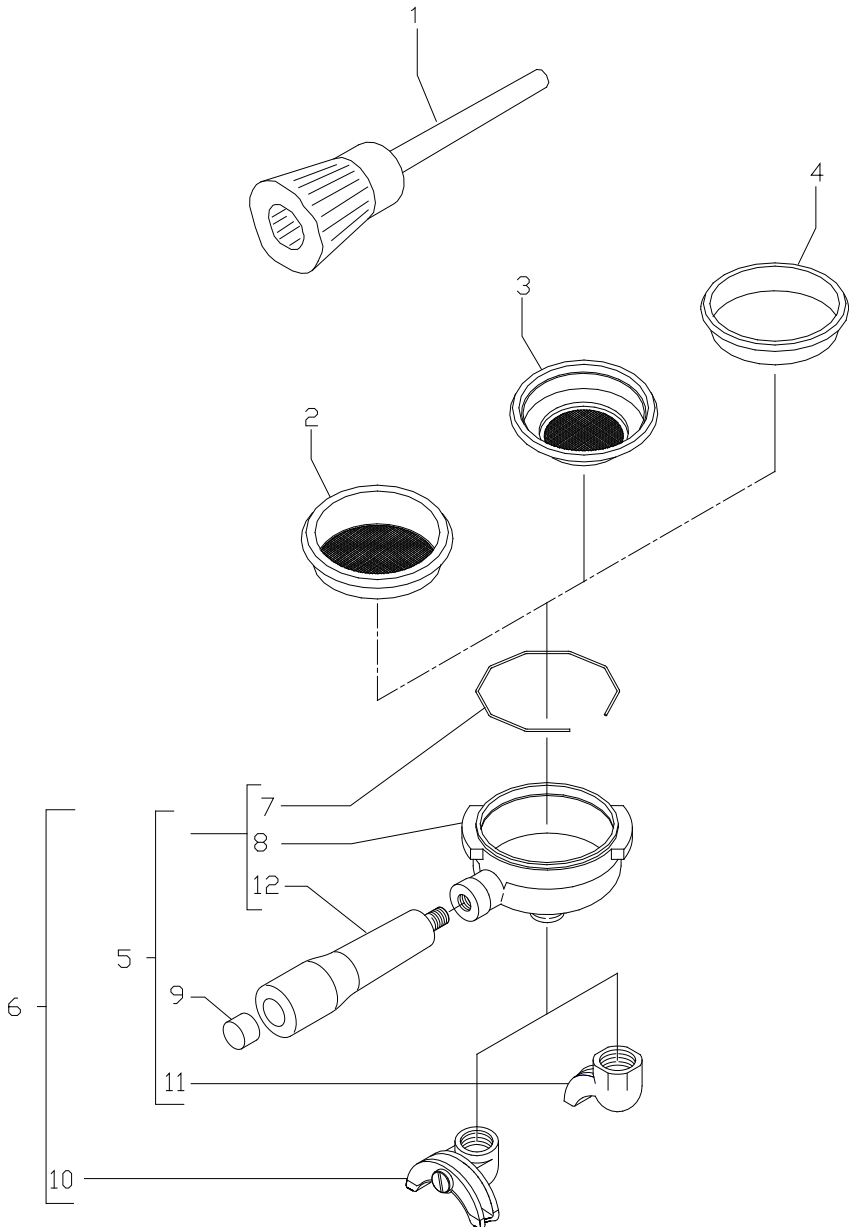


TABLE 10A (up to 23.01.13)
Mod. DE

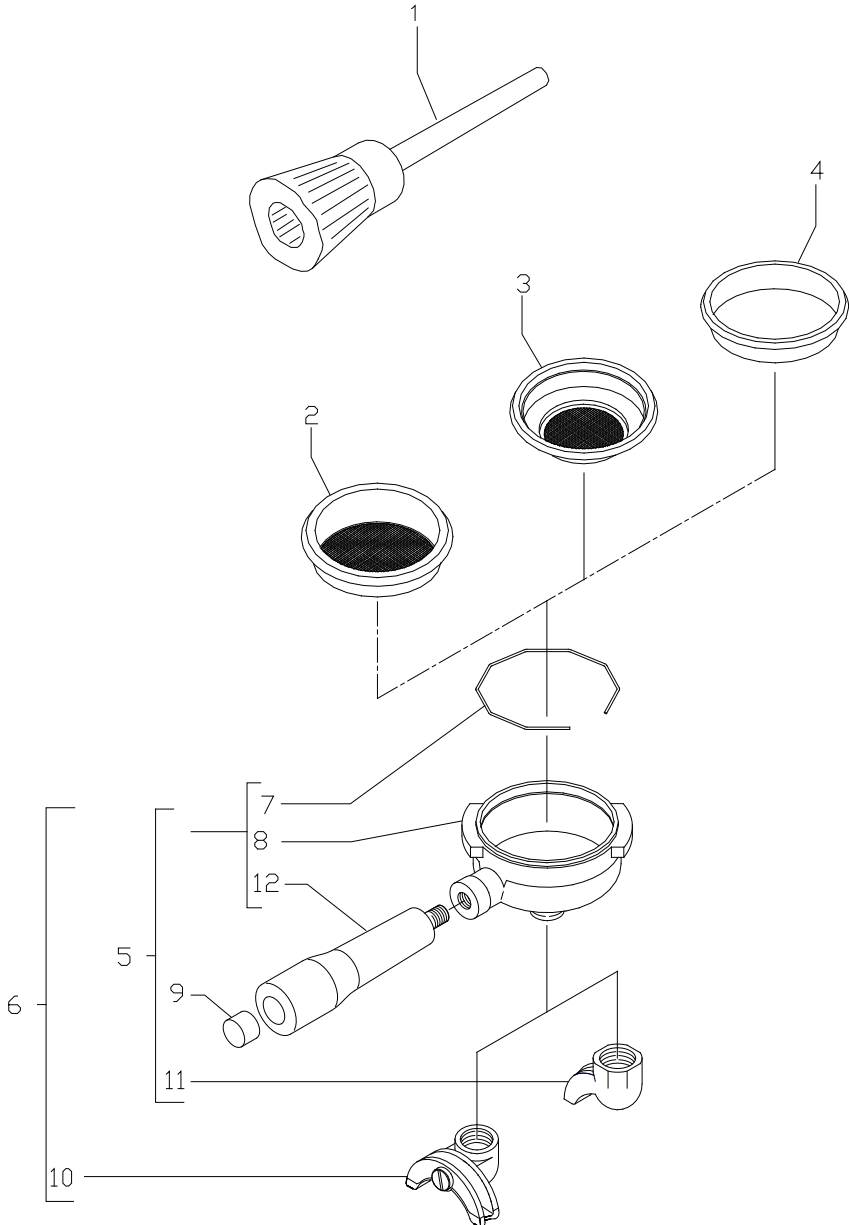
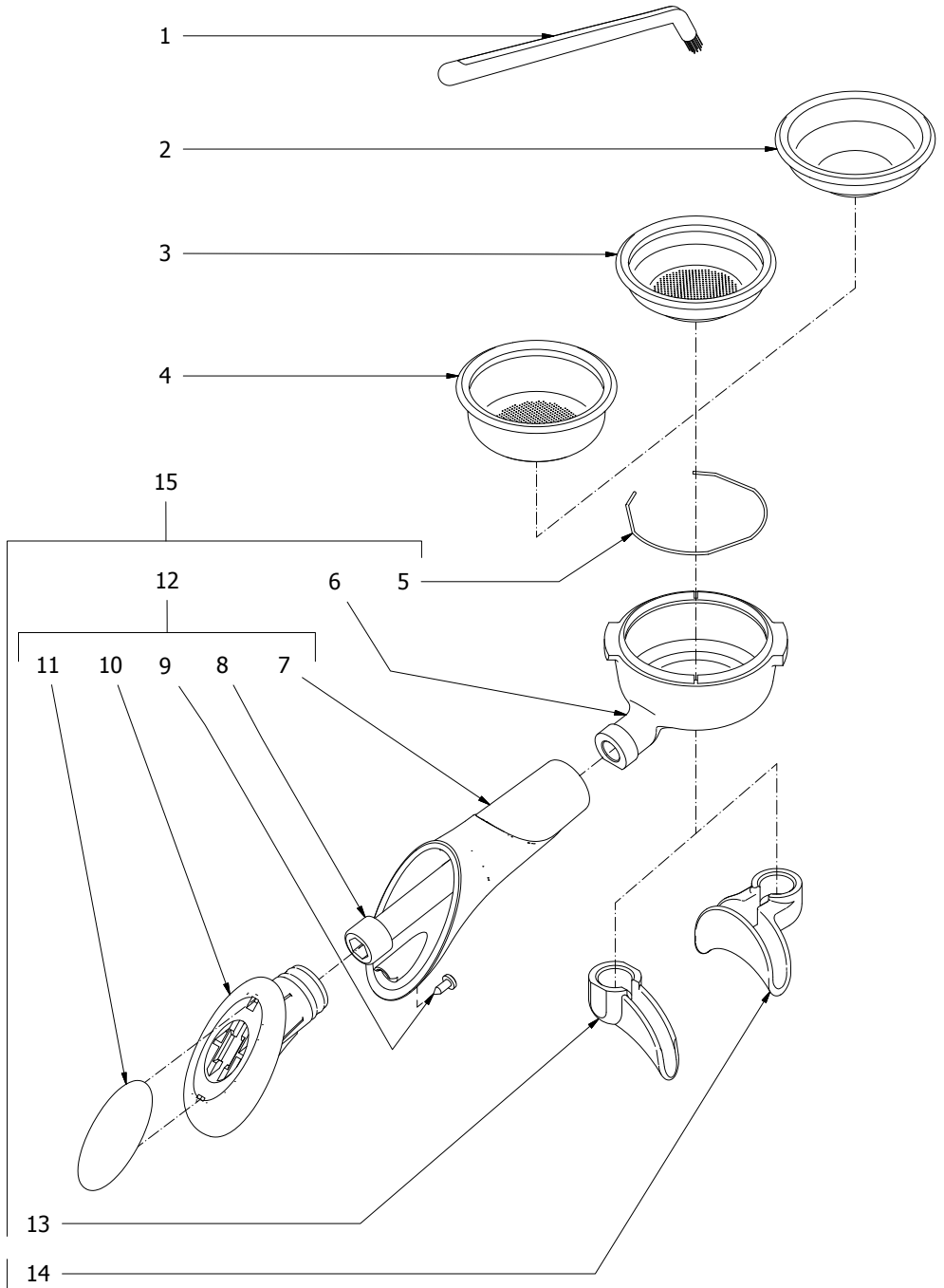


TABLE 10A (from 24.01.13)
Mod. DE





BEZZERA

Dal 1901

G.BEZZERA

MACCHINE PER CAFFE' ESPRESSO

Via Luigi Bezzera,1

20088 Rosate - Milano - Italy

Tel. ++39 02 90848102 r.a. - Telefax ++39 02 90870287

Web: www.g.bezzera.it

e-mail: commerciale@bezzera.it